



# KLD(S)

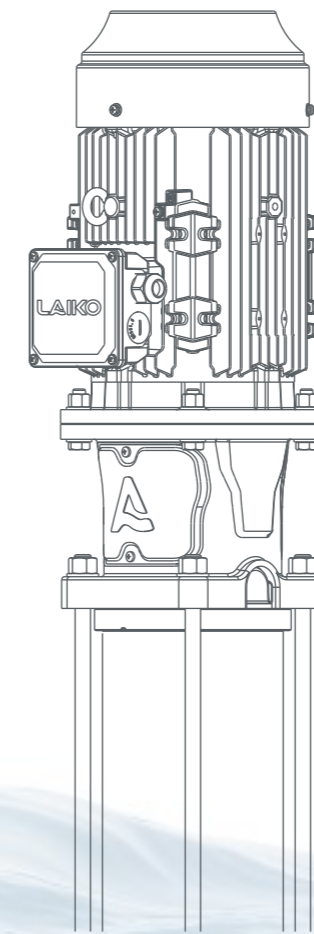
## KLD(S)立式多级离心泵 VERTICAL MULTI-STAGE CENTRIFUGAL PUMP SERIES



LAIKO® 雷客

## KLD(S)立式多级离心泵

VERTICAL MULTI-STAGE CENTRIFUGAL PUMP SERIES



泵与系统解决方案提供商  
PUMP AND SYSTEM SOLUTION PROVIDER

懂水 更懂节能

Superior in Pump, Superior in Energy-Saving.

## 节能泵的研发与制造，泵与系统解决方案提供商

# LAIKO® 雷客

大元泵业旗下品牌 | 专注于节能泵研发与制造  
股票简称:大元泵业 股票代码:603757



## LAIKO 浙江雷客泵业有限公司

Laiko Pump (Zhejiang) Co., Ltd.

浙江雷客泵业有限公司是浙江大元泵业股份有限公司(股票代码:603757)旗下品牌,成立背景源于大元泵业超过34年的深厚行业经验与技术积累,在泵领域内拥有全面的产品线和领先的制造技术。专注于节能泵的研发与制造。

雷客泵业的应用领域涵盖了建筑领域、市政领域以及工业领域。拥有立式多级泵、立式管道泵、卧式多级泵、冷热水循环管道泵、单级离心泵、标准离心泵、不锈钢卧式单级离心泵、潜污泵、浸入式多级离心泵等产品线。并在国内建立了广泛的办事处网络,覆盖研发、生产、销售的完整链条,产品远销欧美亚多个国家和地区。

标准的研发、生产、销售和服务体系,奠定了雷客泵业的核心竞争力和可持续发展空间。可靠的产品品质,贴心的售后服务,为雷客赢得了广泛的美誉。

我们保持锐意进取,始终坚持科技创新理念,为我们的客户提供更节能高效的解决方案与服务!

## 浙江雷客泵业有限公司

是浙江大元泵业股份有限公司(股票代码:603757)旗下品牌,注册资金8000万,与新沪同为大元子公司,总部位于浙江温岭。拥有超34年的实力积淀,联盟国内顶级水泵研发、生产、销售、技术团队,综合实力位居行业前列。母公司大元泵业是泵产品国家标准、行业标准的起草单位,是国家认定、授予的“高新技术企业”、“省级企业技术中心”大元旗下自主品牌(“大元”牌、“雷客”牌、“新沪”牌、“SHINHOO”)产品业已通过CE、GS、TUV、ROHS等多项质量和产品认证,销售服务网点遍布全国达10000余家,并出口东南亚、欧洲、中东和南美等近150个国家和地区。

使命——聚焦高效节能泵解决方案  
愿景——为泵行业节能革新注入新活力  
价值观——以人为本、精益求精



## 专注专业 绿色创新 品质至上 合作共赢

雷客泵业全国主要城市都设立了办事处,专业、高效的办事处服务团队,从咨询、购买、售后、维护等各个环节,全程提供高效、专业、及时、贴心的服务。秉持“全心全意,客户至上”的精神,快速响应需求,为客户提供精准的产品推荐与解决方案,提供更具针对性的服务,全方位全周期的提供无忧服务。



中国·浙江·温岭



### 科技赋能、品质护航，引领泵业绿色智能新时代

大元泵业集团携手子公司雷客泵业重要战略布局，占地近200亩、总投资10亿元的现代化生产基地，规划年产700万台水泵。生产全流程智能化体系：从智能自动化产线、精准检测包装系统，到智能物流仓储，全方位提升生产效率与品质稳定性；更配备国家CNAS认证测试实验室，以国际标准严控产品质量。同时，通过太阳能覆盖、环保设备应用践行绿色发展理念，打造绿色智能标杆工厂，以科技创新为驱动、以卓越品质为根基，引领泵业行业迈向绿色智造新时代。

### 技术创新 专利护航

<b>346</b>	<b>29</b>	<b>242</b>	<b>75</b>	<b>6</b>
境内专利	发明专利	新型实用专利	外观专利	境外专利

拥有研发人员177名+专利超352项的实力积淀  
产品荣获“浙江名牌产品”、“浙江出口名牌”等荣誉  
产品远销欧美亚多个国家和地区，综合实力位居行业前列  
公司通过多年持续的研发投入，形成了较为明显的技术创新优势



# KLD/KLDS立式多级离心泵

全新升级 | 动力强劲 | 高效节能 | 坚固耐用 | 欧盟标准



## 技术参数/TECHNICAL DATA

流量范围Flow range:0.4~330m<sup>3</sup>/h 介质pH值Medium pH value:3~9  
最高环境温度Maximum ambient temperature:+40°C 最高海拔Maximum altitude:1000m

# KLD/KLDS

VERTICAL MULTI-STAGE CENTRIFUGAL PUMP SERIES

## 立式多级离心泵

### 应用领域 / APPLICATION FIELD

供水	Water Supply
工程增压	Engineering Pressurization
水处理	Water Treatment
农业灌溉	Irrigation
食品饮料	Food and Beverage
制药行业	Pharmaceutical Industry

KLD/KLDS是一款全新水力的高效节能立式多级离心泵，参照欧盟标准，MEI值>0.7，铸铁件采用全球墨铸铁，产品经过全新工业设计，具有更高能效、更低噪音、更低振动、更高可靠性、结构紧凑、外形美观、使用维护方便等特点。

适用于输送低粘度、非易燃易爆易汽化、不含固体颗粒和纤维的液体，液体不能对泵材料有化学反应，当输送的液体密度和粘度大于水时，需要配用大功率电机，详情咨询本公司。

液体温度:常温型:-20°C~+70°C

热水型:-20°C~+120°C

全封闭式标准风冷二极标准电机

防护等级:IP55

绝缘等级:F

KLD/KLDS is a brand new hydraulic high-efficiency energy-saving vertical multi-stage centrifugal pump. Referring to EU standards, the MEI value is greater than 0.7, and the cast iron parts are made of global ductile iron. The product has undergone a new industrial design and features higher energy efficiency, lower noise, lower vibration, higher reliability, compact structure, beautiful appearance, and convenient use and maintenance.

Suitable for conveying low viscosity, non flammable, non explosive, and easily vaporized liquids that do not contain solid particles or fibers. The liquid should not have a chemical reaction with the pump material. When the density and viscosity of the conveyed liquid are greater than water, a high-power motor is required. For more details, please consult our company.

LIQUID TEMPERATURE:

Room temperature type: -20 °C~+70 °C

Hot water type: -20 °C~+120 °C

Fully enclosed standard air-cooled two pole standard motor

Protection level: IP55

Insulation level: F

产品概述 Product Overview

KLD/KLDS是一款全新水力的高效节能立式多级离心泵,参照欧盟标准,MEI值≥0.7,铸件件采用全球墨铸铁,产品经过全新工业设计,具有更高能效、更低噪音、更低振动、更高可靠性、结构紧凑、外形美观、使用维护方便等特点。  
KLD/KLDS is a new hydraulic and energy-efficient vertical multi-stage centrifugal pump. According to the European Union standard, the MEI value is ≥0.7. The cast iron is made of global graphite iron. The product has undergone a new industrial design, the utility model has the advantages of higher energy efficiency, lower noise, lower vibration, higher reliability, compact structure, beautiful appearance, convenient operation and maintenance, etc.

应用环境 Operating Environment

KLD/KLDS系列立式多级离心泵适用于输送低粘度、非易燃易爆易汽化、不含固体颗粒和纤维的液体。  
供水: 高层建筑供给排水、水厂过滤与输送、管道增压等  
工程增压: 冲洗和清洗系统、锅炉给水、冷却水循环等设备配套系统  
水处理: 超滤系统、反渗透系统、蒸馏系统、分离器游泳池等水处理系统  
灌溉: 农业中的喷灌、滴灌等系统  
其它: 食品饮料、制药行业等。  
KLD/KLDS series vertical multi-stage centrifugal pumps are suitable for conveying low viscosity, non-flammable, explosive and vaporizing, non-solid particles and fibers of liquid.  
Water supply: high-rise building water supply and drainage, water plant filtration and transportation, pipeline pressure increase, etc.  
Engineering pressure boosting: flushing and cleaning systems, boiler feedwater, cooling water circulation, etc. equipment matching systems.  
Water treatment: ultrafiltration systems, osmosis systems, distillation systems, separators, swimming pools, etc. water treatment systems.  
Irrigation: sprinkler irrigation, drip irrigation, etc. in agriculture.  
Others: food and beverage, pharmaceutical industry, etc.

电机 Motor

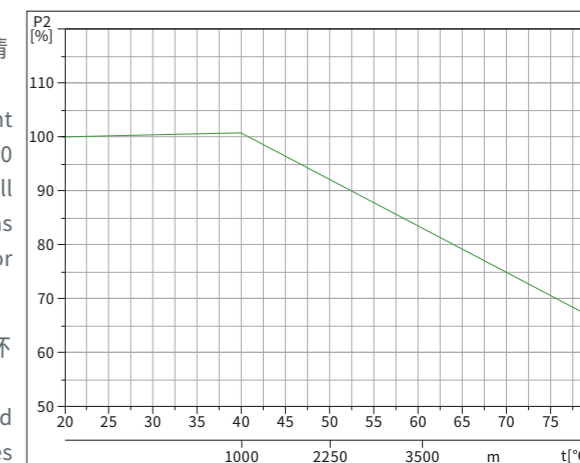
全封闭式标准风冷二极标准电机 Fully enclosed standard air-cooled two-pole standard motor  
防护等级: IP55 Protection level: IP55  
绝缘等级: F Insulation level: F

运行条件 Operating Conditions

低粘度、非易燃易爆易汽化、不含固体颗粒和纤维的液体,液体不能对泵材料有化学反应,当输送的液体密度和粘度大于水时,需要配用大功率电机,详情咨询本公司。  
液体温度: 常温型: -20°C~+70°C  
热水型: -20°C~+120°C  
流量范围: 0.4~330m<sup>3</sup>/h  
介质pH值: 3~9  
最高环境温度: +40°C  
最高海拔: 1000m  
Low viscosity, non-flammable, explosive, vaporized, non-solid particles and fibers of the liquid and the liquid can not have chemical reaction to the pump material. When the liquid density and viscosity is greater than water, a high-power motor is required. For more details, consult us please.  
Liquid temperature: common temperature type: -20°C~+70°C  
hot water type: -20°C~+120°C  
Flow range: 0.4~330m<sup>3</sup>/h  
Medium pH value: 3~9  
Highest ambient temperature: +40°C  
Highest altitude: 1000m

环境温度的影响 Ambient Temperature Effect

电机最高的环境为+40°C,超过40°C或者被安装在海拔1000米以上时,由于空气密度低,导致电机冷却效果不好,电机额定输出功率(P2)会降低,如图所示,因此需要配用更高输出功率的电机,详情咨询本公司。  
The highest motor environment is +40°C. When the ambient temperature of the motor exceeds 40°C or is installed above 1000 meters above sea level, the rated output power (P2) of the motor will decrease due to the poor cooling effect due to the low air density as shown in the figure. And a higher output power motor is required. For more details, consult us please.



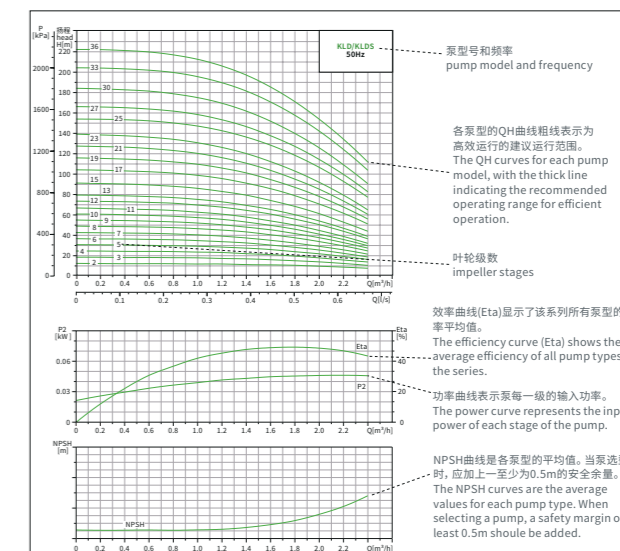
如图所示:当泵安装在海拔3500米以上时,P2会降低到88%;在环境温度达到70°C时,P2会降低到78%。  
As shown in the figure, P2 drops to 88% when the pump is installed above 3500 m and to 78% when the ambient temperature reaches 70°C.

型号说明 Model Description

KLD 1 - 12 F m W S C  
C: 常温型common temperature type; R: 热水型hot water type  
S: 304; L: 316L; P: 普通型common type  
W: 50Hz; L: 60Hz  
三相(≤3kW为220/380V;>3kW为380V)(略)  
m: 单相220V; B: 泵体  
three-phase(≤3kW is 220/380V; >3kW is 380V)(omitted)  
m: single-phase220V; B: pump body  
F: 法兰; A: 椭圆法兰; K: 卡箍连接; G: 螺纹连接  
F: flange; A: oval flange; K: clamp connection; G: threaded connection  
级数series  
额定流量rated flow(m<sup>3</sup>/h)  
KLD/KLDS立式多级离心泵vertical multi-stage centrifugal pump  
KLDS: 过流部件全不锈钢材质all flow passage components are made of stainless steel  
KLD: 泵体、泵盖为铸铁材质the pump body and cover are made of cast iron

性能曲线说明 Performance Curve Description

曲线容差符合ISO9906:2012;  
介质采用20°C的不含空气的水、运动粘度V=1mm<sup>2</sup>/s;  
为防止电机过热或过载,泵应使用在加粗曲线范围。  
The tolerance of the curve complies with ISO9906:2012.  
The medium is air-free water at 20°C with kinematic viscosity V=1mm<sup>2</sup>/s.  
To prevent the motor from overheating or overloading, the pump should be used within the range of the bold curve.



最小入口压力 Minimum Inlet Pressure-NPSH

当有下属情况存在时建议计算进口压力“H”：液体温度高；流量明显大于额定流量；从低处抽水；从长管路中抽水；进口条件不好。

When the following conditions exist, it is recommended to calculate the inlet pressure "H": The liquid temperature is high ; The flow rate is significantly greater than the rated flow rate ; Pumping water from a lower level ; Pumping water a long pipeline ; Poor water inlet conditions.

T为避免汽蚀发生，必须确保泵进口侧有一最小压力。

最大吸上高度“H”可按下式计算：

T to avoid cavitation, a minimum pressure must be ensured on the pump suction side. The maximum suction lift "H" can be calculated according to the following formula:

$$H = P_b \times 10.2 - NPSH - H_f - H_v - H_s$$

=大气压力，单位为bar(大气压力看作1bar)封闭系统中Pb表示系统压力(单位为bar)。

Pb =atmospheric pressure, unit in bar (atmospheric pressure is considered as 1 bar). In a closed system, Pb represents the system pressure(unit in bar).

=净正吸头，单位为m(NPSH性能曲线中读取)。

NPSH =Net Positive Suction Head, unit in meter(read from the NPSH performance curve).

=吸入管路阻力损耗，单位为m(在泵的最大流量下)。

Hf =suction pipe resistance loss, unit in meter (at the pump's maximum flow rate).

=汽化压力，单位为m(可从汽化压力尺中读取。其值取决于液体温度“tm”)

Hv =vaporization pressure, unit in meter (read from the vaporization pressure scale. Its value depends on the liquid temperature "tm").

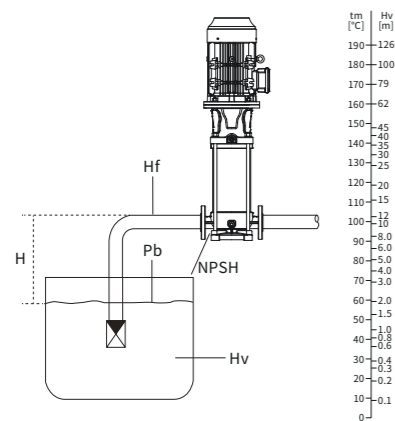
=安全余量，最小取0.5m。

Hs =safety margin, minimum value is 0.5m.

如果“H”计算出来的是正值，泵可在最大吸上高度为“H”下运行；如果“H”计算出来的是负值，泵需要有最小“H”的进口压力。

If "H" is calculated as a positive value, the pump can operate with a maximum suction lift of "H".

If "H" is calculated a negative value, the pump requires a minimum "H" suction pressure.suction lift of "H".



注:为避免汽蚀发生，应选择泵的额定点远离NPSH曲线右侧。

应该始终检查泵在可能最高流量下的NPSH值。

Note: To avoid cavitation, never select a pump with a duty point too far to the right on the NPSH curve. Always check the NPSH value of the pump at the highest possible flow.

选型数据 Selection Data

在选择泵的尺寸时，考虑这些参数：

抽取点需要的流量和压力。

高度差导致的压力损失(H)。

管道中的摩擦损失(Hf)，可能需要考虑长管道、弯管、阀门或类似结构引起的压力损失。

预计工况点的最佳效率。

NPSH值。对于NPSH值的计算，参见关于最小入口压力NPSH的章节。

When selecting the size of a pump, the following parameters should be considered:

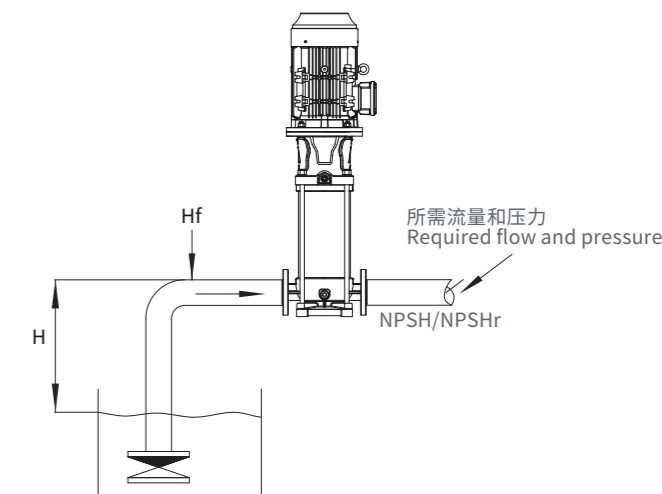
The flow and pressure required at the point of delivery.

Pressure losses due to the height difference (H).

Friction losses in the piping (Hf), which may involve pressure losses due to long piping, bends valves, or similar structures.

The best efficiency at the estimated operating point.

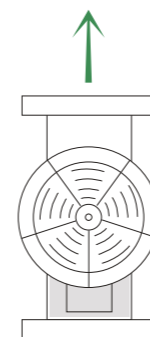
The NPSH value. For calculations of the NPSH value, to the section on Minimum Inlet Pressure NPSH.



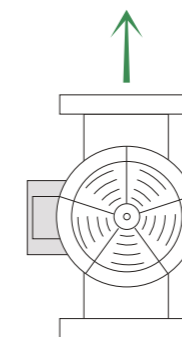
接线盒位置 Junction Box Location

注意：出厂标准按位置3

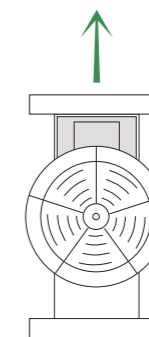
Note: the factory standard is position 3.



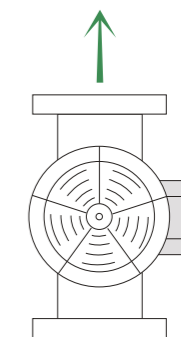
位置1 position 1



位置2 position 2



位置3 position 3

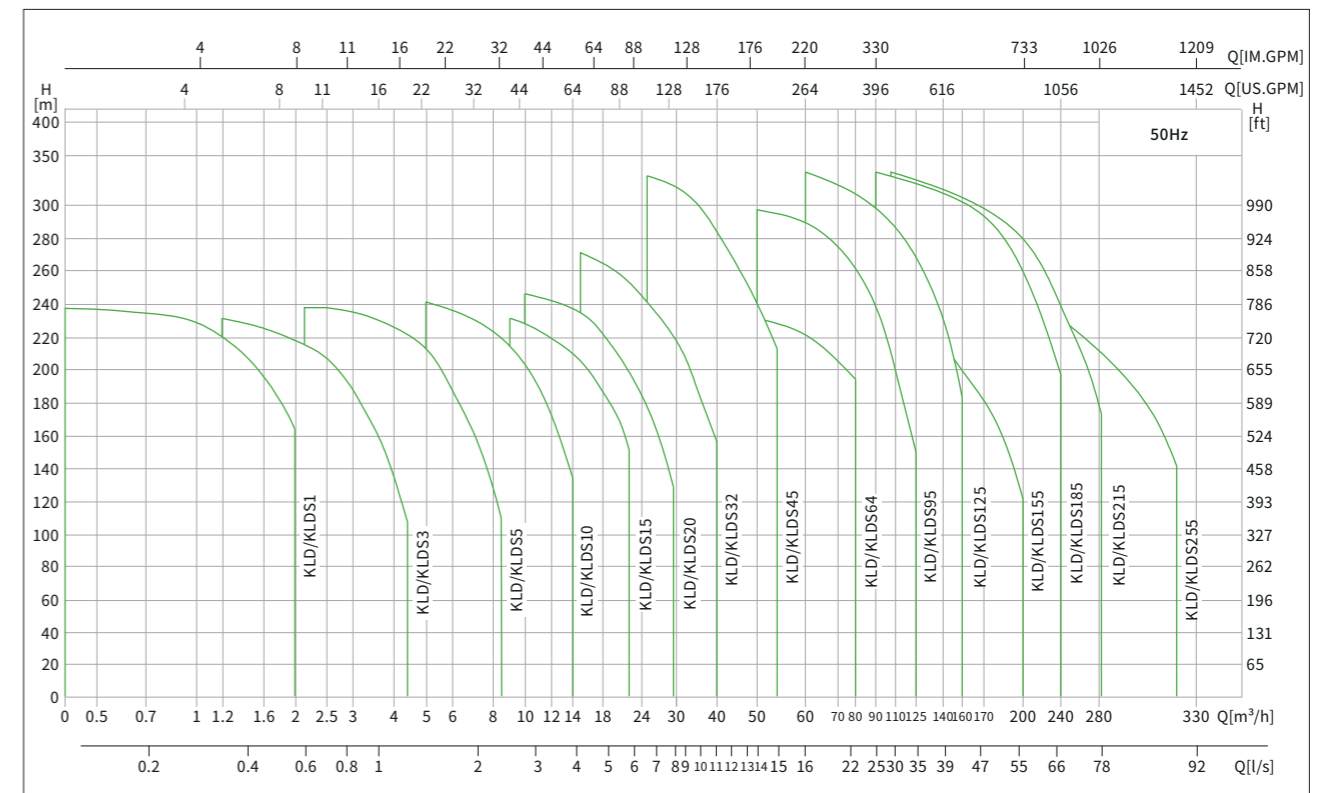


位置4 position 4

产品范围 Product Scope

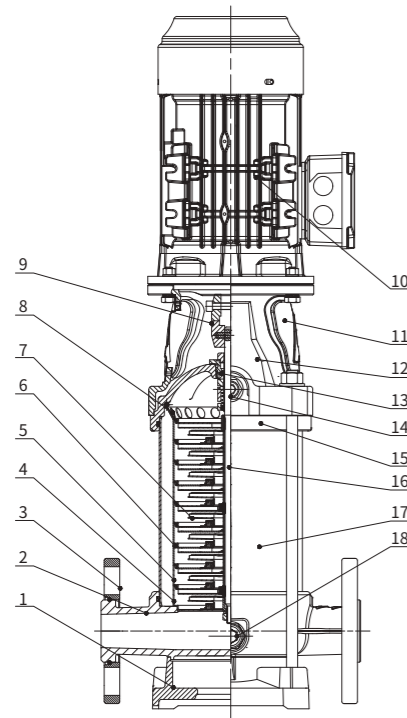
型号 Model	KLD1	KLD3	KLD5	KLD10	KLD15	KLD20	KLD32	KLD45	KLD64	KLD95	KLD125	KLD155	KLD185	KLD215	KLD255
说明 Description	KLDS1	KLDS3	KLDS5	KLDS10	KLDS15	KLDS20	KLDS32	KLDS45	KLDS64	KLDS95	KLDS125	KLDS155	KLDS185	KLDS215	KLDS255
额定流量 rated flow [m³/h]	1	3	5	10	15	20	32	45	64	95	125	155	185	215	255
流量范围 flow range [m³/h]	0.5-2.4	1.2-4.4	2.5-8.5	5-14	8-22	10-29	15-40	25-55	30-80	50-125	60-160	80-200	90-240	105-282	125-330
最大压力 maximum pressure [bar]	24	23	24	24	23	25	28	32	24	30	33	29	34	34	28
电机功率 motor power [kW]	0.37-2.2	0.37-3	0.37-4	0.75-11	1.1-15	1.1-18.5	1.5-30	3-45	5.5-55	5.5-75	11-110	11-110	15-200	18.5-200	30-200
温度范围 temperature range [°C]	-20°C~+120°C, 注意: 最大允许工作压力和液体温度范围是针对水泵自身的承受能力而言 -20°C~+120°C Note: the maximum allowable working pressure and liquid temperature range refer to the pump's own tolerance														
最高效率 highest efficiency [%]	48	58	70	72	70	72	74	78	78	82	79	80	81	81.5	82
KLD管道连接 KLD pipeline connection															
椭圆法兰 oval flange	G1	G1	G1 ¼	/	/	/	/	/	/	/	/	/	/	/	/
DIN法兰 DIN flange	DN25	DN25	DN32	DN40	DN50	DN50	DN65	DN80	DN100	DN100	DN150	DN150	DN200	DN200	DN200
KLDS管道连接 KLDS pipeline connection															
DIN法兰 DIN flange	DN25	DN25	DN32	DN40	DN50	DN50	DN65	DN80	DN100	DN100	DN150	DN150	DN200	DN200	DN200
卡箍连接 clamp connection	Φ42	Φ42	Φ42	Φ57	Φ57	Φ57	/	/	/	/	/	/	/	/	/
螺纹连接 threaded connection	G1 ¼	G1 ¼	G1 ¼	G2	G2	G2	/	/	/	/	/	/	/	/	/

适用范围 Application Scope



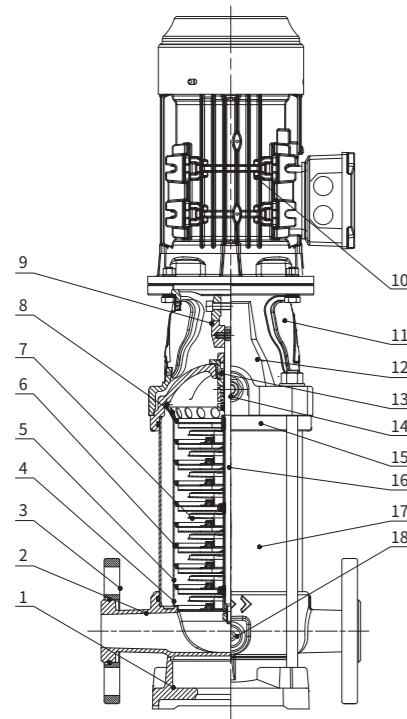
结构图 Structure Diagram

KLD1、3、5



序号 No.	名称 Name	材料 Materials	GB	AISI/ASTM
1	底座 Base	球墨铸铁 Nodular cast iron	GB/T1348-QT450-10	ASTMA395
2	泵体 Pump body	球墨铸铁 Nodular cast iron	GB/T1348-QT450-10	ASTMA395
3	法兰 Flange	球墨铸铁 Nodular cast iron	GB/T1348-QT450-10	ASTMA395
4	首级导流体 First diffuser	不锈钢 Stainless steel	GB/T20878-06Cr19Ni10	AISI304
5	带轴承导流体 Diffuser with bearing	不锈钢 Stainless steel	GB/T20878-06Cr19Ni10	AISI304
6	中级导流体 Medium diffuser	不锈钢 Stainless steel	GB/T20878-06Cr19Ni10	AISI304
7	叶轮 Impeller	不锈钢 Stainless steel	GB/T20878-06Cr19Ni10	AISI304
8	末级导流体 Final diffuser	不锈钢 Stainless steel	GB/T20878-06Cr19Ni10	AISI304
9	半联轴器 Half-coupling	铁基粉末冶金 Iron-based powder metallurgy	/	/
10	电机 Motor	/	/	/
11	护板 Guarding plate	不锈钢 Stainless steel	GB/T20878-06Cr19Ni10	AISI304
12	电机座 Motor base	球墨铸铁 Nodular cast iron	GB/T1348-QT450-10	ASTMA395
13	机械密封 Mechanical seal	/	/	/
14	放水螺塞组件 Vent plug assembly	不锈钢 Stainless steel	GB/T20878-06Cr19Ni10	AISI304
15	泵盖 Pump cover	球墨铸铁 Nodular cast iron	GB/T1348-QT450-10	ASTMA395
16	泵轴 Pump shaft	不锈钢 Stainless steel	GB/T20878-06Cr19Ni10	AISI304
17	泵筒 Pump barrel	不锈钢 Stainless steel	GB/T20878-06Cr19Ni10	AISI304
18	放水螺塞组件 Discharge bolt assem	不锈钢 Stainless steel	GB/T20878-06Cr19Ni10	AISI304

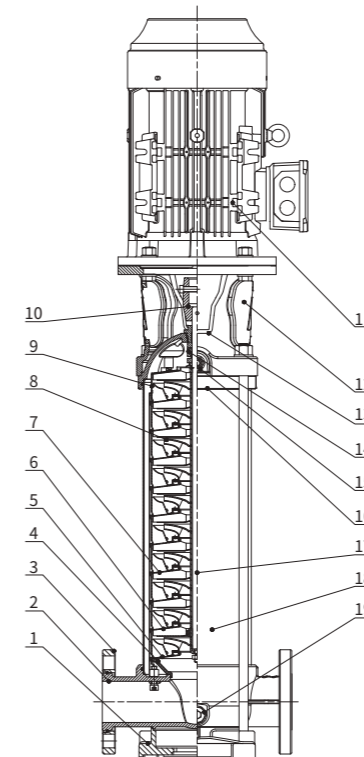
KLDS1、3、5



序号 No.	名称 Name	材料 Materials	GB	AISI/ASTM
1	底座 Base	球墨铸铁 Nodular cast iron	GB/T1348-QT450-10	ASTMA395
2	泵体 Pump body	不锈钢 Stainless steel	GB/T20878-06Cr19Ni10	AISI304
3	法兰 Flange	球墨铸铁 Nodular cast iron	GB/T1348-QT450-10	ASTMA395
4	首级导流体 First diffuser	不锈钢 Stainless steel	GB/T20878-06Cr19Ni10	AISI304
5	带轴承导流体 Diffuser with bearing	不锈钢 Stainless steel	GB/T20878-06Cr19Ni10	AISI304
6	中级导流体 Medium diffuser	不锈钢 Stainless steel	GB/T20878-06Cr19Ni10	AISI304
7	叶轮 Impeller	不锈钢 Stainless steel	GB/T20878-06Cr19Ni10	AISI304
8	末级导流体 Final diffuser	不锈钢 Stainless steel	GB/T20878-06Cr19Ni10	AISI304
9	半联轴器 Half-coupling	铁基粉末冶金 Iron-based powder metallurgy	/	/
10	电机 Motor	/	/	/
11	护板 Guarding plate	不锈钢 Stainless steel	GB/T20878-06Cr19Ni10	AISI304
12	电机座 Motor base	球墨铸铁 Nodular cast iron	GB/T1348-QT450-10	ASTMA395
13	机械密封 Mechanical seal	/	/	/
14	放水螺塞组件 Vent plug assembly	不锈钢 Stainless steel	GB/T20878-06Cr19Ni10	AISI304
15	泵盖 Pump cover	不锈钢 Stainless steel	GB/T20878-06Cr19Ni10	AISI304
16	泵轴 Pump shaft	不锈钢 Stainless steel	GB/T20878-06Cr19Ni10	AISI304
17	泵筒 Pump barrel	不锈钢 Stainless steel	GB/T20878-06Cr19Ni10	AISI304
18	放水螺塞组件 Discharge bolt assem	不锈钢 Stainless steel	GB/T20878-06Cr19Ni10	AISI304

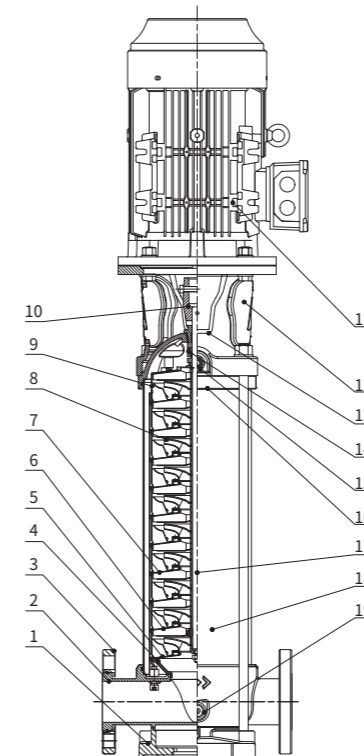
结构图 Structure Diagram

KLD10、15、20



序号 No.	名称 Name	材料 Materials	GB	AISI/ASTM
1	底座 Base	球墨铸铁 Nodular cast iron	GB/T1348-QT450-10	ASTMA395
2	泵体 Pump body	球墨铸铁 Nodular cast iron	GB/T1348-QT450-10	ASTMA395
3	法兰 Flange	球墨铸铁 Nodular cast iron	GB/T1348-QT450-10	ASTMA395
4	进口压盖 Imported gland cover	不锈钢 Stainless steel	GB/T20878-06Cr19Ni10	AISI304
5	首级导流体 First diffuser	不锈钢 Stainless steel	GB/T20878-06Cr19Ni10	AISI304
6	带轴承导流体 Diffuser with bearing	不锈钢 Stainless steel	GB/T20878-06Cr19Ni10	AISI304
7	中级导流体 Medium diffuser	不锈钢 Stainless steel	GB/T20878-06Cr19Ni10	AISI304
8	叶轮 Impeller	不锈钢 Stainless steel	GB/T20878-06Cr19Ni10	AISI304
9	末级导流体 Final diffuser	不锈钢 Stainless steel	GB/T20878-06Cr19Ni10	AISI304
10	半联轴器 Half-coupling	铁基粉末冶金 Iron-based powder metallurgy	/	/
11	电机 Motor	/	/	/
12	护板 Guarding plate	不锈钢 Stainless steel	GB/T20878-06Cr19Ni10	AISI304
13	电机座 Motor base	球墨铸铁 Nodular cast iron	GB/T1348-QT450-10	ASTMA395
14	机械密封 Mechanical seal	/	/	/
15	放水螺塞组件 Discharge bolt assem	不锈钢 Stainless steel	GB/T20878-06Cr19Ni10	AISI304
16	泵盖 Pump cover	球墨铸铁 Nodular cast iron	GB/T1348-QT450-10	ASTMA395
17	泵轴 Pump shaft	不锈钢 Stainless steel	GB/T20878-06Cr19Ni10	AISI304
18	泵筒 Pump barrel	不锈钢 Stainless steel	GB/T20878-06Cr19Ni10	AISI304
19	放水螺塞组件 Discharge bolt assem	不锈钢 Stainless steel	GB/T20878-06Cr19Ni10	AISI304

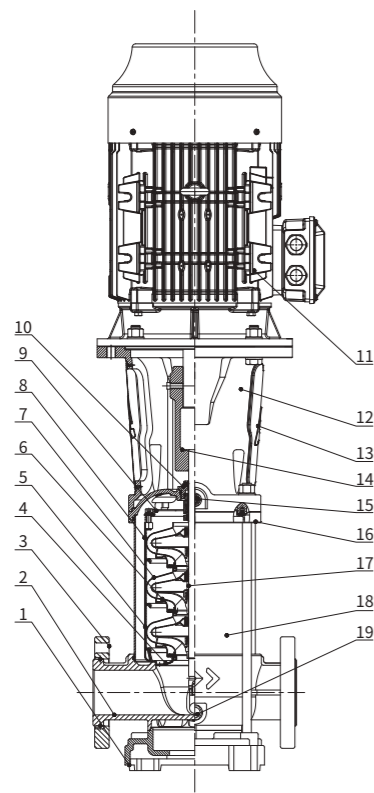
KLDS10、15、20



序号 No.	名称 Name	材料 Materials	GB	AISI/ASTM
1	底座 Base	球墨铸铁 Nodular cast iron	GB/T1348-QT450-10	ASTMA395
2	泵体 Pump body	不锈钢 Stainless steel	GB/T20878-06Cr19Ni10	AISI304
3	法兰 Flange	球墨铸铁 Nodular cast iron	GB/T1348-QT450-10	ASTMA395
4	进口压盖 Imported gland cover	不锈钢 Stainless steel	GB/T20878-06Cr19Ni10	AISI304
5	首级导流体 First diffuser	不锈钢 Stainless steel	GB/T20878-06Cr19Ni10	AISI304
6	带轴承导流体 Diffuser with bearing	不锈钢 Stainless steel	GB/T20878-06Cr19Ni10	AISI304
7	中级导流体 Medium diffuser	不锈钢 Stainless steel	GB/T20878-06Cr19Ni10	AISI304
8	叶轮 Impeller	不锈钢 Stainless steel	GB/T20878-06Cr19Ni10	AISI304
9	末级导流体 Final diffuser	不锈钢 Stainless steel	GB/T20878-06Cr19Ni10	AISI304
10	半联轴器 Half-coupling	粉末冶金 Iron-based powder metall	/	/
11	电机 Motor	/	/	/
12	护板 Guarding plate	不锈钢 Stainless steel	GB/T20878-06Cr19Ni10	AISI304
13	电机座 Motor base	球墨铸铁 Nodular cast iron	GB/T1348-QT450-10	ASTMA395
14	机械密封 Mechanical seal	/	/	/
15	放水螺塞组件 Discharge bolt assem	不锈钢 Stainless steel	GB/T20878-06Cr19Ni10	AISI304
16	泵盖 Pump cover	不锈钢 Stainless steel	GB/T20878-06Cr19Ni10	AISI304
17	泵轴 Pump shaft	不锈钢 Stainless steel	GB/T20878-06Cr19Ni10	AISI304
18	泵筒 Pump barrel	不锈钢 Stainless steel	GB/T20878-06Cr19Ni10	AISI304
19	放水螺塞组件 Discharge bolt assem	不锈钢 Stainless steel	GB/T20878-06Cr19Ni10	AISI304

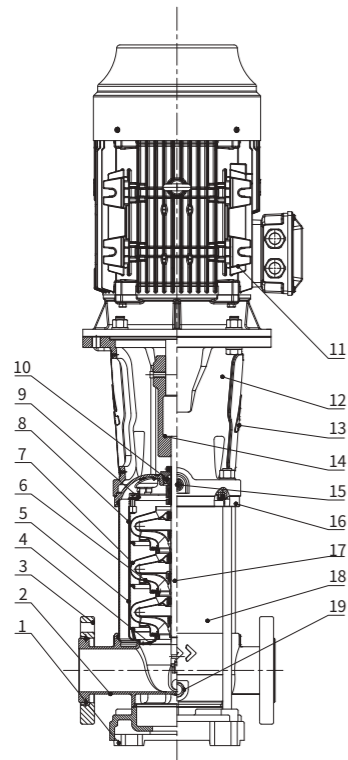
结构图 Structure Diagram

KLD32、45、64



序号 No.	名称 Name	材料 Materials	GB	AISI/ASTM
1	底座 Base	球墨铸铁 Nodular cast iron	GB/T1348-QT450-10	ASTMA395
2	泵体 Pump body	球墨铸铁 Nodular cast iron	GB/T1348-QT450-10	ASTMA395
3	法兰 Flange	球墨铸铁 Nodular cast iron	GB/T1348-QT450-10	ASTMA395
4	首级导流体 First diffuser	不锈钢 Stainless steel	GB/T20878-06Cr19Ni10	AISI304
5	中级导流体 Medium diffuser	不锈钢 Stainless steel	GB/T20878-06Cr19Ni10	AISI304
6	叶轮 Impeller	不锈钢 Stainless steel	GB/T20878-06Cr19Ni10	AISI304
7	带轴承导流体 Diffuser with bearing	不锈钢 Stainless steel	GB/T20878-06Cr19Ni10	AISI304
8	拉紧条 Tightening strap	不锈钢 Stainless steel	GB/T20878-06Cr19Ni10	AISI304
9	末级导流体 Final diffuser	不锈钢 Stainless steel	GB/T20878-06Cr19Ni10	AISI304
10	机械密封 Mechanical seal	/	/	/
11	电机 Motor	/	/	/
12	电机座 Motor base	球墨铸铁 Nodular cast iron	GB/T1348-QT450-10	ASTMA395
13	护板 Guarding plate	不锈钢 Stainless steel	GB/T20878-06Cr19Ni10	AISI304
14	半联轴器 Half-coupling	铁基粉末冶金 Iron-based powder metallurgy	/	/
15	放水螺塞组件 Discharge bolt assem	不锈钢 Stainless steel	GB/T20878-06Cr19Ni10	AISI304
16	泵盖 Pump cover	球墨铸铁 Nodular cast iron	GB/T1348-QT450-10	ASTMA395
17	泵轴 Pump shaft	不锈钢 Stainless steel	GB/T20878-06Cr19Ni10	AISI304
18	泵筒 Pump barrel	不锈钢 Stainless steel	GB/T20878-06Cr19Ni10	AISI304
19	注水螺塞 Discharge bolt	不锈钢 Stainless steel	GB/T20878-06Cr19Ni10	AISI304

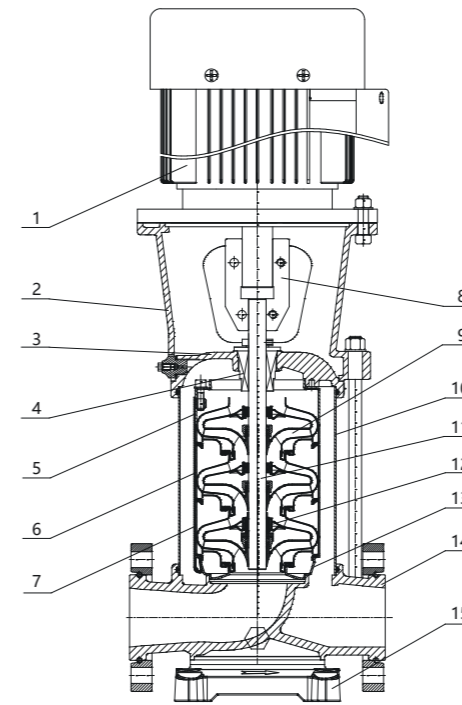
KLDS32、45、64



序号 No.	名称 Name	材料 Materials	GB	AISI/ASTM
1	底座 Base	球墨铸铁 Nodular cast iron	GB/T1348-QT450-10	ASTMA395
2	泵体 Pump body	不锈钢 Stainless steel	GB/T2100-ZG07Cr19Ni9	AISI304
3	法兰 Flange	球墨铸铁 Nodular cast iron	GB/T1348-QT450-10	ASTMA395
4	首级导流体 First diffuser	不锈钢 Stainless steel	GB/T20878-06Cr19Ni10	AISI304
5	中级导流体 Medium diffuser	不锈钢 Stainless steel	GB/T20878-06Cr19Ni10	AISI304
6	叶轮 Impeller	不锈钢 Stainless steel	GB/T20878-06Cr19Ni10	AISI304
7	带轴承导流体 Diffuser with bearing	不锈钢 Stainless steel	GB/T20878-06Cr19Ni10	AISI304
8	拉紧条 Tightening strap	不锈钢 Stainless steel	GB/T20878-06Cr19Ni10	AISI304
9	末级导流体 Final diffuser	不锈钢 Stainless steel	GB/T20878-06Cr19Ni10	AISI304
10	机械密封 Mechanical seal	/	/	/
11	电机 Motor	/	/	/
12	电机座 Motor base	球墨铸铁 Nodular cast iron	GB/T1348-QT450-10	ASTMA395
13	护板 Guarding plate	不锈钢 Stainless steel	GB/T20878-06Cr19Ni10	AISI304
14	半联轴器 Half-coupling	铁基粉末冶金 Iron-based powder metallurgy	/	/
15	放水螺塞组件 Discharge bolt assem	不锈钢 Stainless steel	GB/T20878-06Cr19Ni10	AISI304
16	泵盖 Pump cover	不锈钢 Stainless steel	GB/T2100-ZG07Cr19Ni9	AISI304
17	泵轴 Pump shaft	不锈钢 Stainless steel	GB/T20878-06Cr19Ni10	AISI304
18	泵筒 Pump barrel	不锈钢 Stainless steel	GB/T20878-06Cr19Ni10	AISI304
19	注水螺塞 Discharge bolt	不锈钢 Stainless steel	GB/T20878-06Cr19Ni10	AISI304

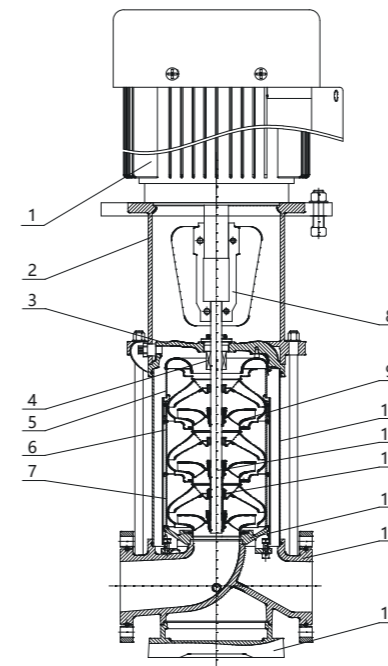
结构图 Structure Diagram

KLD95、125、155、185、215、255



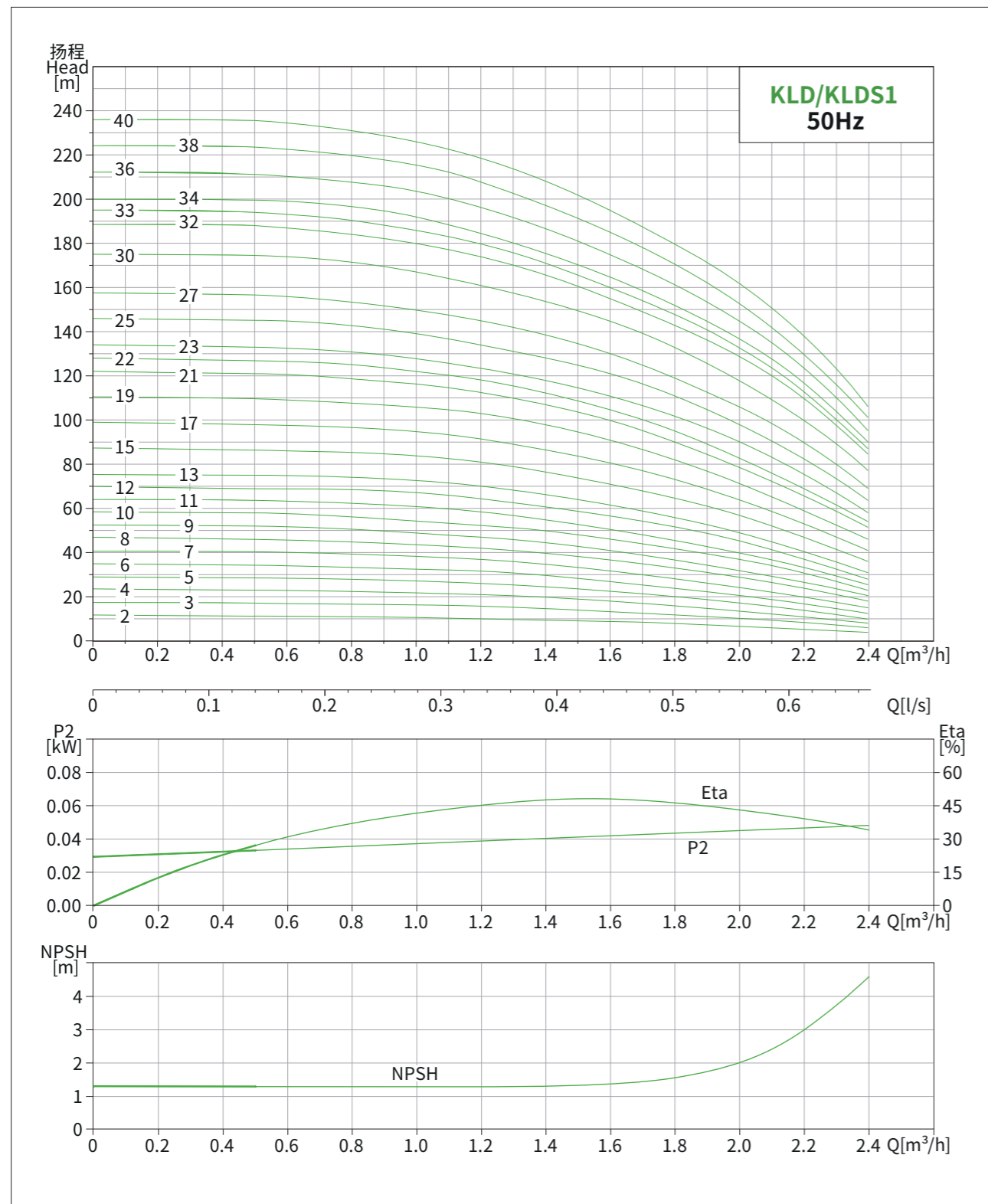
序号 No.	零件 Parts	材料 Materials	GB	AISI/ASTM
1	泵座 Base	球墨铸铁 Nodular cast iron	GB 1348-QT500-7	/
2	泵体 Pump body	球墨铸铁 Nodular cast iron	GB 1348-QT500-7	/
3	首级导流体 First diffuser	不锈钢 Stainless steel	GB/T20878-06Cr19Ni10	AISI304
4	带轴承导流体 Diffuser with bearing	不锈钢 Stainless steel	GB/T20878-06Cr19Ni10	AISI304
5	中级导流体 Medium diffuser	不锈钢 Stainless steel	GB/T20878-06Cr19Ni10	AISI304
6	叶轮 Impeller	不锈钢 Stainless steel	GB/T20878-06Cr19Ni10	AISI304
7	末级导流体 Final diffuser	不锈钢 Stainless steel	GB/T20878-06Cr19Ni10	AISI304
8	电机座 Motor base	球墨铸铁 Nodular cast iron	GB 1348-QT500-7	/
9	联轴器 Coupling	球墨铸铁 Nodular cast iron	GB 1348-QT500-7	/
10	电机 Motor	/	/	/
11	机械密封 Mechanical seal	/	/	/
12	泵盖 Pump cover	球墨铸铁 Nodular cast iron	GB 1348-QT500-7	/
13	泵轴 Pump shaft	不锈钢 Stainless steel	GB/T20878-06Cr19Ni10	AISI304
14	泵筒 Pump barrel	不锈钢 Stainless steel	GB/T20878-06Cr19Ni10	AISI304
15	轴承 Bearing	碳化硅/碳化钨 Silicon carbide/tungsten carbide	/	/

KLDS95、125、155、185、215、255

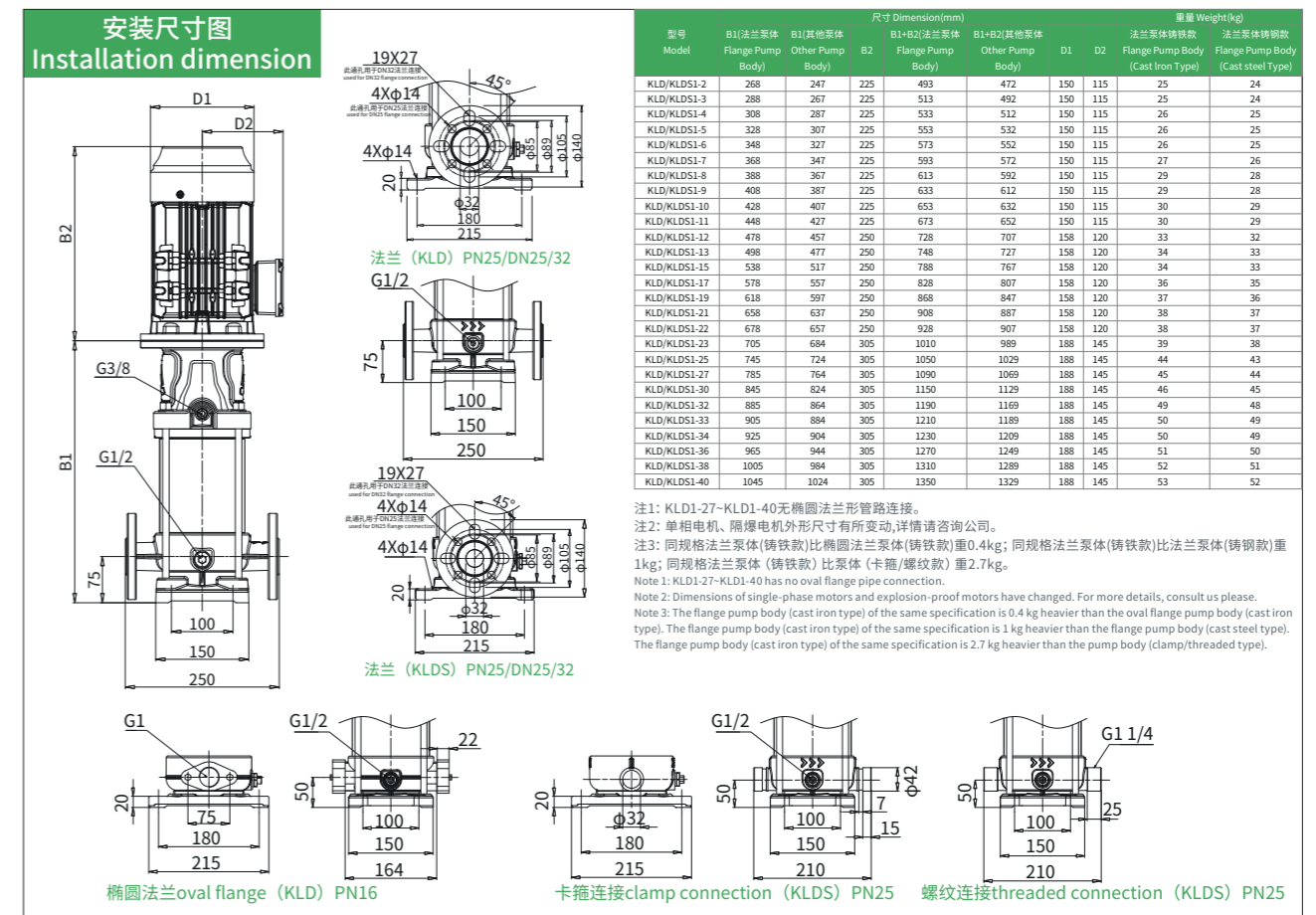


序号 No.	零件 Parts	材料 Materials	GB	AISI/ASTM
1	泵座 Base	球墨铸铁 Nodular cast iron	GB 1348-QT500-7	/
2	泵体 Pump body	不锈钢 Stainless steel	GB/T2100-ZG07Cr19Ni9	AISI304
3	首级导流体 First diffuser	不锈钢 Stainless steel	GB/T20878-06Cr19Ni10	AISI304
4	带轴承导流体 Diffuser with bearing	不锈钢 Stainless steel	GB/T20878-06Cr19Ni10	AISI304
5	中级导流体 Medium diffuser	不锈钢 Stainless steel	GB/T20878-06Cr19Ni10	AISI304
6	叶轮 Impeller	不锈钢 Stainless steel	GB/T20878-06Cr19Ni10	AISI304
7	末级导流体 Final diffuser	不锈钢 Stainless steel	GB/T20878-06Cr19Ni10	AISI304
8	电机座 Motor base	球墨铸铁 Nodular cast iron	GB 1348-QT500-7	/
9	联轴器 Coupling	球墨铸铁 Nodular cast iron	GB 1348-QT500-7	/
10	电机 Motor	/	/	/
11	机械密封 Mechanical seal	/	/	/
12	泵盖 Pump cover	不锈钢 Stainless steel	GB/T2100-ZG07Cr19Ni9	AISI304
13	泵轴 Pump shaft	不锈钢 Stainless steel	GB/T20878-06Cr19Ni10	AISI304
14	泵筒 Pump barrel	不锈钢 Stainless steel	GB/T20878-06Cr19Ni10	AISI304
15	轴承 Bearing	碳化硅/碳化钨 Silicon carbide/tungsten carbide	/	/

KLD/KLDS1

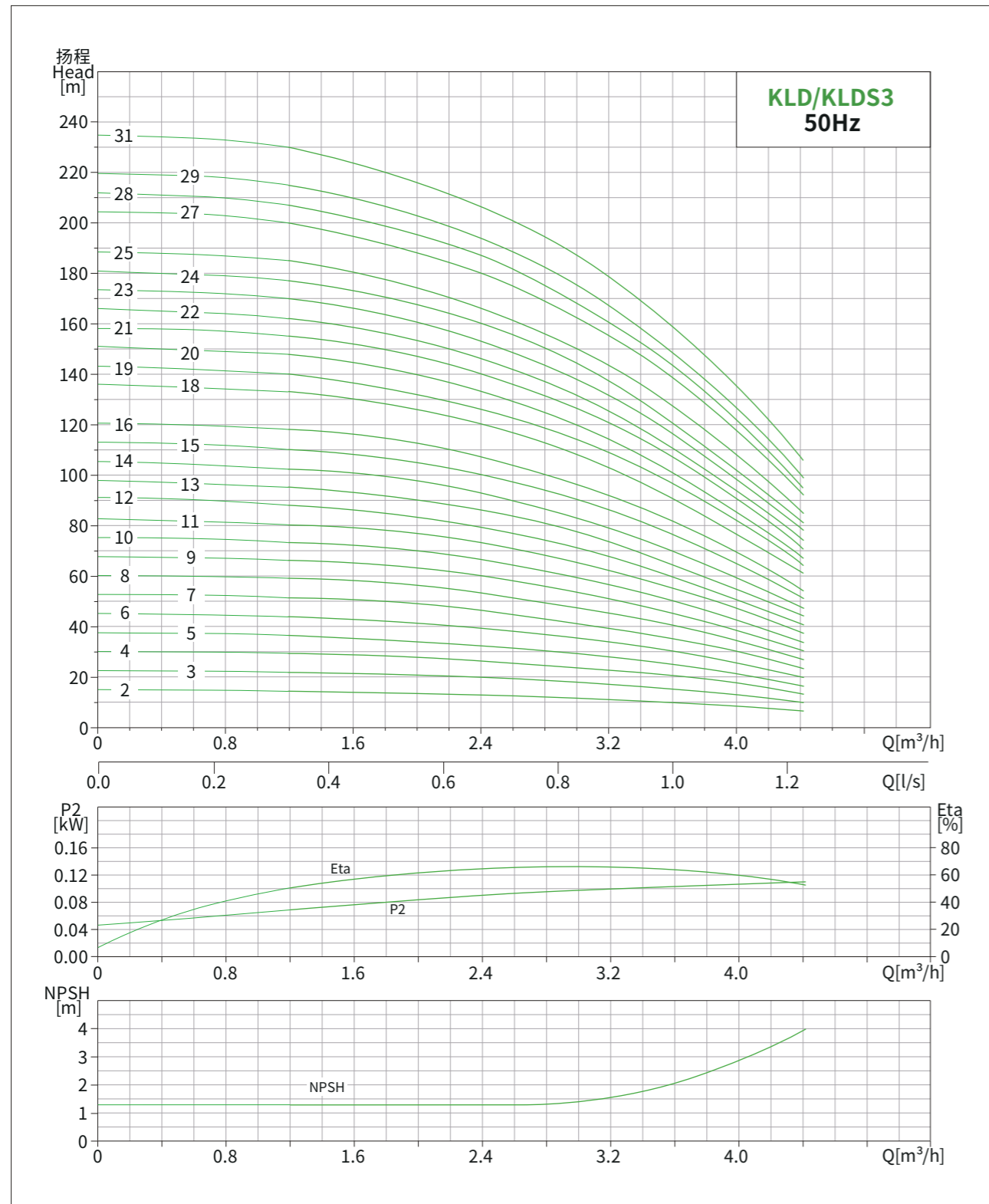


KLD/KLDS1

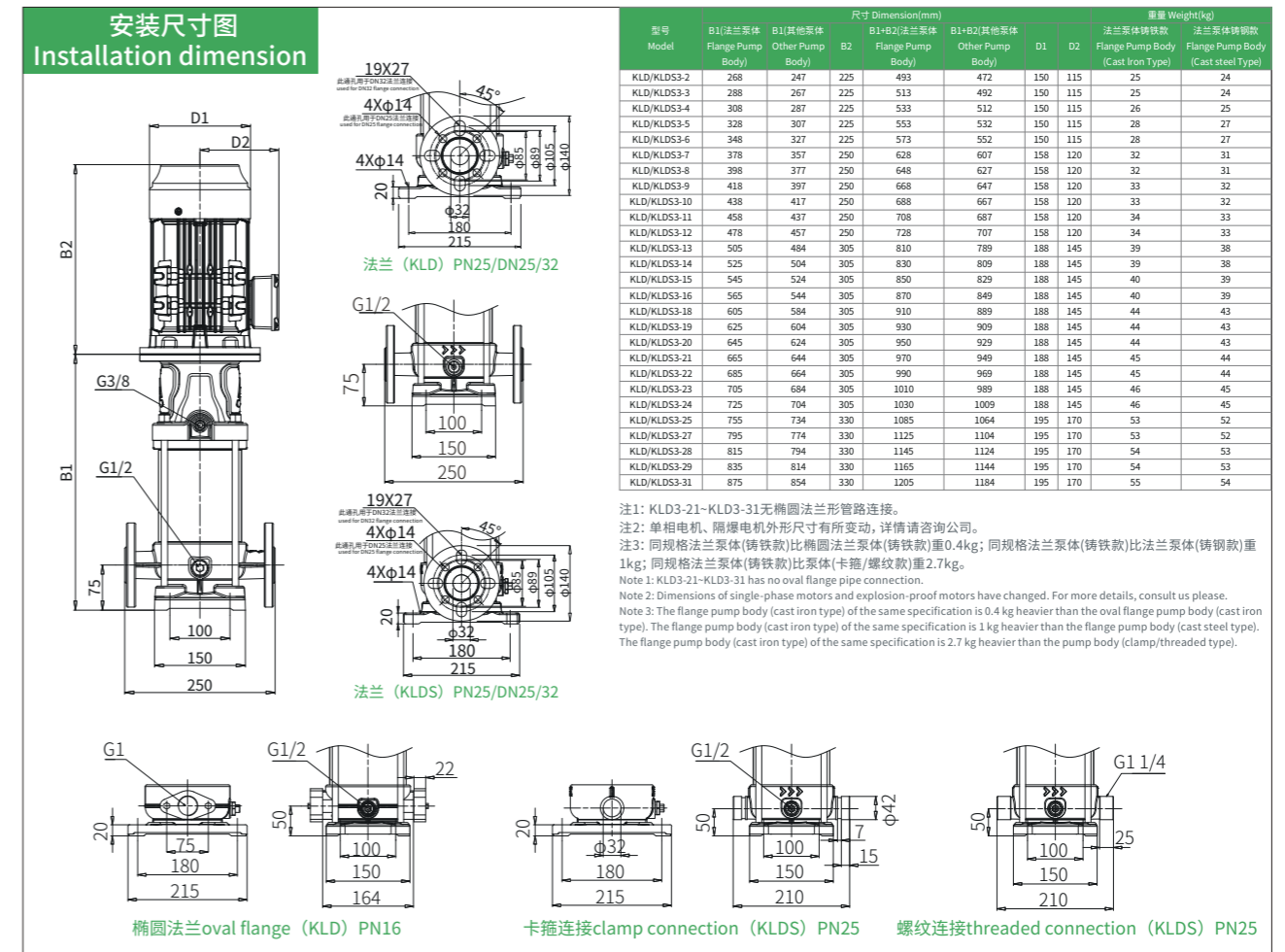


型号 Model	电机功率 Motor Power (kW)	Q [m³/h]	0	0.5	0.7	1	1.2	1.4	1.6	1.8	2	2.2	2.4
KLD/KLDS1-2	0.37	H(m)	11.8	11.5	11.2	10.5	10.3	9.7	9	8	6.8	5.5	4
KLD/KLDS1-3	0.37		17.5	17	16.8	16	15.6	14.8	13.5	12	10	8.5	6
KLD/KLDS1-4	0.37		23.5	23	22.5	21.5	21	19.8	18	16	13.5	11	8
KLD/KLDS1-5	0.37		29	28.5	28	27	26	24.5	22.5	20	17	14	10
KLD/KLDS1-6	0.37		35	34.5	34	32.5	31.5	30	27	24	20.5	17	12.5
KLD/KLDS1-7	0.37		41	40.5	40	39	37	35	32	28	24	20	15
KLD/KLDS1-8	0.55		47	46	45.5	43.5	42	40	37	33	29	24.5	18
KLD/KLDS1-9	0.55		52.5	52	51.5	49	47	44.5	41	37	32	27	20.5
KLD/KLDS1-10	0.55		58.5	58	57	55	52.5	50	46	42	37	31	23
KLD/KLDS1-11	0.55		64	63.5	63	61	58.5	55	51	46	40	33.5	25.5
KLD/KLDS1-12	0.75		70	69	68.5	67	64.5	61	57	52	45.5	37	28
KLD/KLDS1-13	0.75		75.5	75	74.5	73	70	66.5	61.5	56	49	40.5	31
KLD/KLDS1-15	0.75		87.5	86.5	85.5	84	81	76.5	71	65	57	47	36
KLD/KLDS1-17	1.1		99	98	97	95	91.5	86.5	81	73	64	53	41
KLD/KLDS1-19	1.1		110	109	108	106	103	98	91	82	72	59	46
KLD/KLDS1-21	1.1		122	121	120	117	113	107	100	90	79	66	51.5
KLD/KLDS1-22	1.1		128	127	126	122	118	112	105	95	83	69	54
KLD/KLDS1-23	1.5		134	133	132	128	123	118	111	102	90.5	76.5	58
KLD/KLDS1-25	1.5		146	145	144	139	134	128	121	111	98	83	63
KLD/KLDS1-27	1.5		158	157	155	150	145	138	130	119	106	90	69
KLD/KLDS1-30	1.5		175	174	172	167	161	154	145	133	118	100	77
KLD/KLDS1-32	2.2		189	188	186	180	174	166	155	143	129	110	85
KLD/KLDS1-33	2.2		195	194	192	186	180	171	160	148	133	113	87
KLD/KLDS1-34	2.2		200	199	198	192	185	176	165	152	137	117	90
KLD/KLDS1-36	2.2		212	211	209	203	196	186	175	161	145	124	95
KLD/KLDS1-38	2.2		225	224	221	215	208	197	185	171	153	131	101
KLD/KLDS1-40	2.2		237	236	233	226	219	208	195	180	161	138	106

KLD/KLDS3



KLD/KLDS3

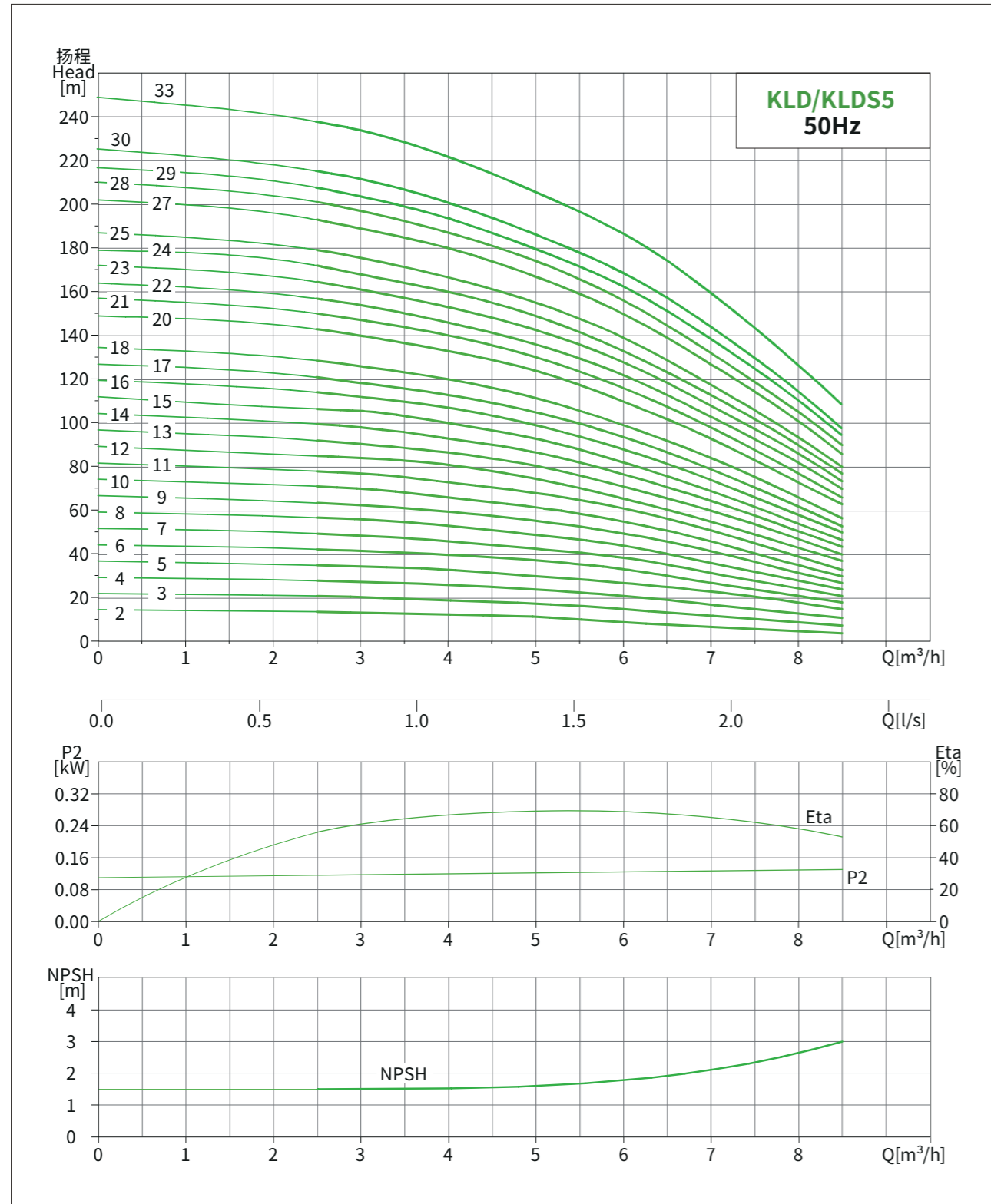


型号 Model	尺寸 Dimension (mm)			重量 Weight (kg)	
	B1 法兰泵体 Flange Pump Body	B1 其他泵体 Other Pump Body	B2 法兰泵体 Flange Pump Body	D1 法兰泵体铸铁款 Cast Iron Type	D2 法兰泵体铸钢款 Cast steel Type
KLD/KLDS3-2	268	247	225	493	472
KLD/KLDS3-3	288	267	225	513	492
KLD/KLDS3-4	308	287	225	533	512
KLD/KLDS3-5	328	307	225	553	532
KLD/KLDS3-6	348	327	225	573	552
KLD/KLDS3-7	378	357	250	628	607
KLD/KLDS3-8	398	377	250	648	627
KLD/KLDS3-9	418	397	250	668	647
KLD/KLDS3-10	438	417	250	688	667
KLD/KLDS3-11	458	437	250	708	687
KLD/KLDS3-12	478	457	250	728	707
KLD/KLDS3-13	505	484	305	810	789
KLD/KLDS3-14	525	504	305	830	809
KLD/KLDS3-15	545	524	305	850	829
KLD/KLDS3-16	565	544	305	870	849
KLD/KLDS3-18	605	584	305	910	889
KLD/KLDS3-19	625	604	305	930	909
KLD/KLDS3-20	645	624	305	950	929
KLD/KLDS3-21	665	644	305	970	949
KLD/KLDS3-22	685	664	305	990	969
KLD/KLDS3-23	705	684	305	1010	989
KLD/KLDS3-24	725	704	305	1030	1009
KLD/KLDS3-25	755	734	330	1085	1064
KLD/KLDS3-27	795	774	330	1125	1104
KLD/KLDS3-28	815	794	330	1145	1124
KLD/KLDS3-29	835	814	330	1165	1144
KLD/KLDS3-31	875	854	330	1205	1184

注1: KLD3-21~KLD3-31无椭圆法兰形管路连接。  
 注2: 单相电机、防爆电机外形尺寸有所变动, 详情请咨询公司。  
 注3: 同规格法兰泵体(铸铁款)比椭圆法兰泵体(铸铁款)重0.4kg; 同规格法兰泵体(铸铁款)比法兰泵体(铸钢款)重1kg; 同规格法兰泵体(铸铁款)比泵体(卡箍/螺纹款)重2.7kg。  
 Note 1: KLD3-21~KLD3-31 has no oval flange pipe connection.  
 Note 2: Dimensions of single-phase motors and explosion-proof motors have changed. For more details, consult us please.  
 Note 3: The flange pump body (cast iron type) of the same specification is 0.4 kg heavier than the oval flange pump body (cast iron type). The flange pump body (cast iron type) of the same specification is 1 kg heavier than the flange pump body (cast steel type). The flange pump body (cast iron type) of the same specification is 2.7 kg heavier than the pump body (clamp/threaded type).

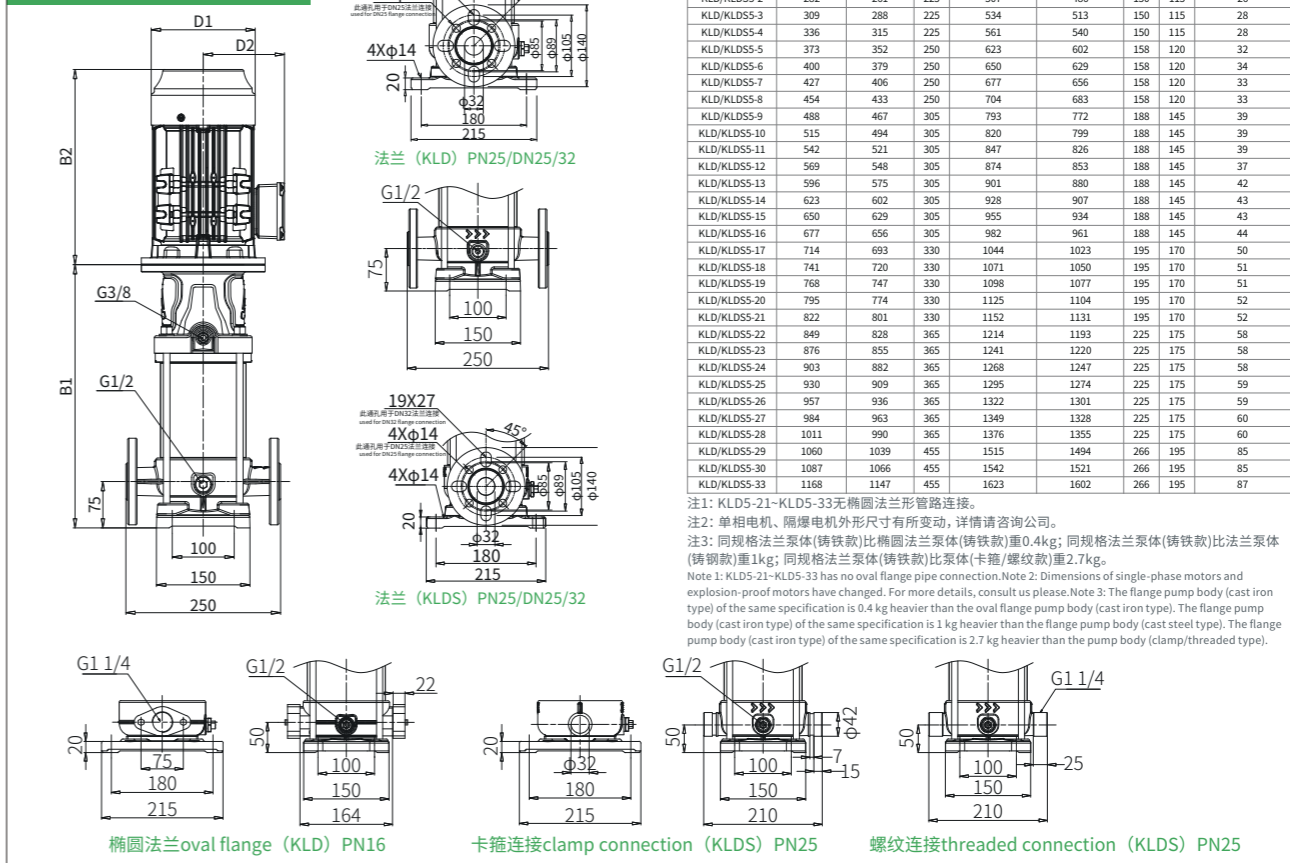
型号 Model	电机功率 Motor Power (kW)	Q [m³/h]	0	1.2	1.6	2	2.4	2.8	3	3.2	3.6	4	4.4
KLD/KLDS3-2	0.37	H(m)	14.7	14	13.5	13	12.5	11.5	11	10.5	9.5	8	6
KLD/KLDS3-3	0.37		22.2	21.5	21	20.5	19.5	18	17	16.5	15	12.5	9.5
KLD/KLDS3-4	0.37		29.7	29	28.5	27.5	26	24	23	22	20	17	13
KLD/KLDS3-5	0.55		37.2	36	35	33.5	32	30	29	28	25	21	16
KLD/KLDS3-6	0.55		45	43.5	42.5	41	39	36.5	35	33.5	30	25	19.5
KLD/KLDS3-7	0.75		52.5	51	50	49	46	43	41	39.5	35	30	23
KLD/KLDS3-8	0.75		60	58.5	58	56	53	49	47	45	40	34	26.5
KLD/KLDS3-9	1.1		67.5	66	65	63	60	56	53	51	45	38	30
KLD/KLDS3-10	1.1		75	73	72	70	66	61	59	56	50	42	33.5
KLD/KLDS3-11	1.1		82.5	80	79	77	73	68	65	62	55	47	37
KLD/KLDS3-12	1.1		90	88	86	83	79	74	71	67	59	50	40.5
KLD/KLDS3-13	1.5		98	95	93	90	86	80	77	73	64	54	44
KLD/KLDS3-14	1.5		105	102	101	98	92.5	86	83	78	69	58	47
KLD/KLDS3-15	1.5		113	110	108	105	100	94	90	86	76	64	51
KLD/KLDS3-16	1.5		120	118	116	112	107	100	96	92	81	69	54
KLD/KLDS3-18	2.2		136	133	130	126	120	113	108	102	90	76	61
KLD/KLDS3-19	2.2		143	140	137	132	126	119	114	108	96	82	64
KLD/KLDS3-20	2.2		151	148	144	140	133	125	120	114	100	85	67
KLD/KLDS3-21	2.2		158	155	152	147	140	131	126	120	106	90	71
KLD/KLDS3-22	2.2		166	162	158	154	146	137	132	125	110	93	74
KLD/KLDS3-23	2.2		173	170	166	161	153	144	138	131	115	97	78
KLD/KLDS3-24	2.2		181	177	173	168	160	150	144	137	120	101	81
KLD/KLDS3-25	3		188	185	181	175	166	156	150	142	125	105	85
KLD/KLDS3-27	3		204	200	195	188	180	169	162	155	138	117	92
KLD/KLDS3-28	3		212	207	202	195	187	175	168	160	143	121	95
KLD/KLDS3-29	3		220	215	210	203	194	182	175	167	148	126	99
KLD/KLDS3-31	3		235	230	224	216	207	194	187	178	159	134	106

KLD/KLDS5



KLD/KLDS5

安装尺寸图  
Installation dimension

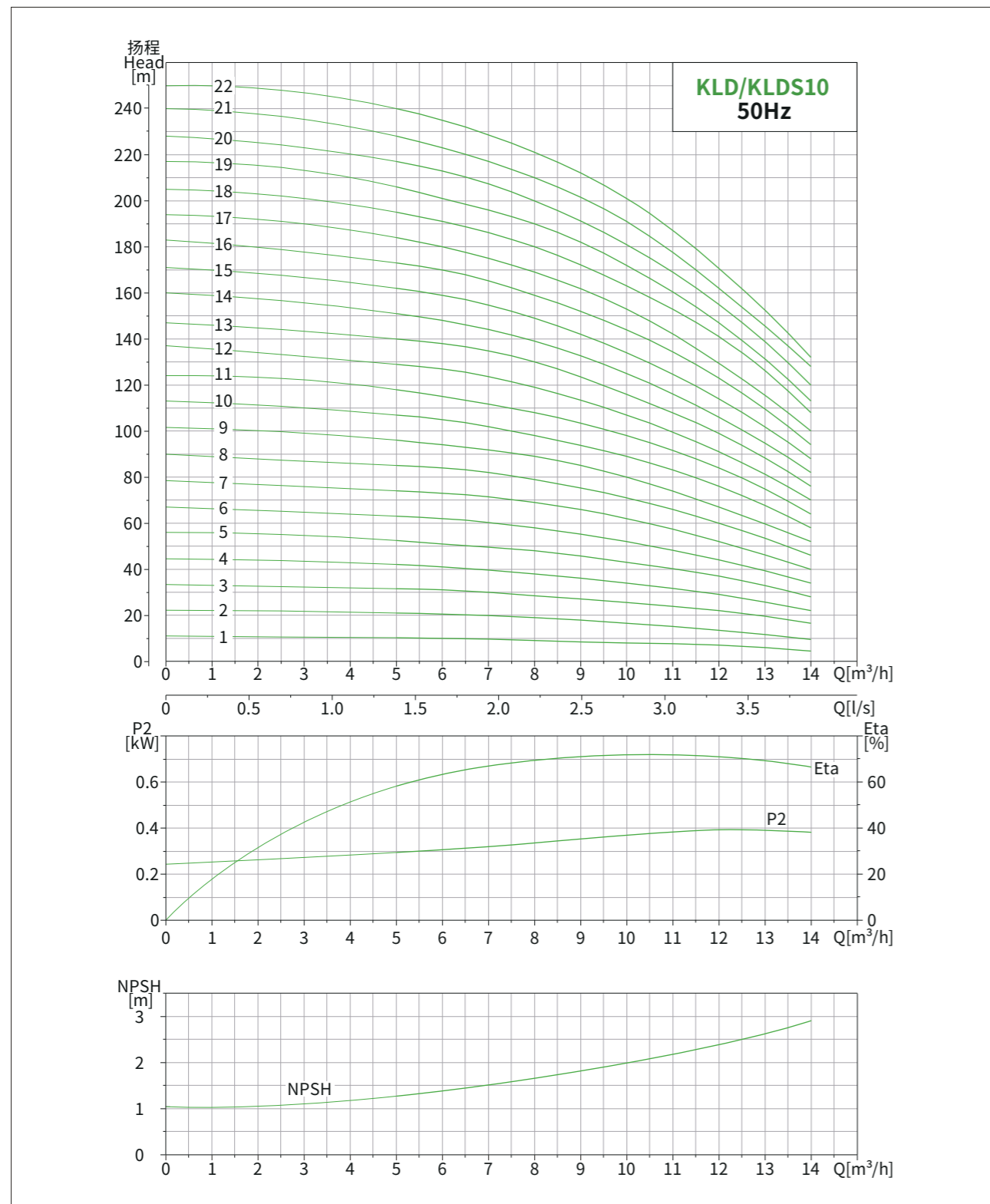


型号 Model	B1(法兰泵体) Flange Pump Body		B1(其他泵体) Other Pump Body		B2		B1+B2(法兰泵体) Flange Pump Body		B1+B2(其他泵体) Other Pump Body		重量 Weight(kg)	
	法兰泵体 Flange Pump Body	其他泵体 Other Pump Body	法兰泵体 Flange Pump Body	其他泵体 Other Pump Body	法兰泵体 Flange Pump Body	其他泵体 Other Pump Body	法兰泵体 Flange Pump Body	其他泵体 Other Pump Body	法兰泵体 Flange Pump Body	其他泵体 Other Pump Body	法兰泵体 Flange Pump Body	其他泵体 Other Pump Body
KLD/KLDS5-2	282	261	225	507	486	150	115	26				
KLD/KLDS5-3	309	288	225	534	513	150	115	28				
KLD/KLDS5-4	336	315	225	561	540	150	115	28				
KLD/KLDS5-5	373	352	250	623	602	158	120	32				
KLD/KLDS5-6	400	379	250	650	629	158	120	34				
KLD/KLDS5-7	427	406	250	677	656	158	120	33				
KLD/KLDS5-8	454	433	250	704	683	158	120	33				
KLD/KLDS5-9	488	467	305	793	772	188	145	39				
KLD/KLDS5-10	515	494	305	820	799	188	145	39				
KLD/KLDS5-11	542	521	305	847	826	188	145	39				
KLD/KLDS5-12	569	548	305	874	853	188	145	37				
KLD/KLDS5-13	596	575	305	901	880	188	145	42				
KLD/KLDS5-14	623	602	305	928	907	188	145	43				
KLD/KLDS5-15	650	629	305	955	934	188	145	43				
KLD/KLDS5-16	677	656	305	982	961	188	145	44				
KLD/KLDS5-17	714	693	330	1044	1023	195	170	50				
KLD/KLDS5-18	741	720	330	1071	1050	195	170	51				
KLD/KLDS5-19	768	747	330	1098	1077	195	170	51				
KLD/KLDS5-20	795	774	330	1125	1104	195	170	52				
KLD/KLDS5-21	822	801	330	1152	1131	195	170	52				
KLD/KLDS5-22	849	828	365	1214	1193	225	175	58				
KLD/KLDS5-23	876	855	365	1241	1220	225	175	58				
KLD/KLDS5-24	903	882	365	1268	1247	225	175	58				
KLD/KLDS5-25	930	909	365	1295	1274	225	175	59				
KLD/KLDS5-26	957	936	365	1322	1301	225	175	59				
KLD/KLDS5-27	984	963	365	1349	1328	225	175	60				
KLD/KLDS5-28	1011	990	365	1376	1355	225	175	60				
KLD/KLDS5-29	1060	1039	455	1515	1494	266	195	85				
KLD/KLDS5-30	1087	1066	455	1542	1521	266	195	85				
KLD/KLDS5-33	1168	1147	455	1623	1602	266	195	87				

注1: KLD5-21~KLD5-33无椭圆法兰形管路连接。  
 注2: 单相电机、隔爆电机外形尺寸有所变动, 详情请咨询公司。  
 注3: 同规格法兰泵体(铸铁款)比椭圆法兰泵体(铸铁款)重0.4kg; 同规格法兰泵体(铸铁款)比法兰泵体(铸钢款)重1kg; 同规格法兰泵体(铸铁款)比泵体(卡箍/螺纹款)重2.7kg。  
 Note 1: KLD5-21~KLD5-33 has no oval flange pipe connection. Note 2: Dimensions of single-phase motors and explosion-proof motors have changed. For more details, consult us please. Note 3: The flange pump body (cast iron type) of the same specification is 0.4 kg heavier than the oval flange pump body (cast iron type). The flange pump body (cast iron type) of the same specification is 1 kg heavier than the flange pump body (cast steel type). The flange pump body (cast iron type) of the same specification is 2.7 kg heavier than the pump body (clamp/threaded type).

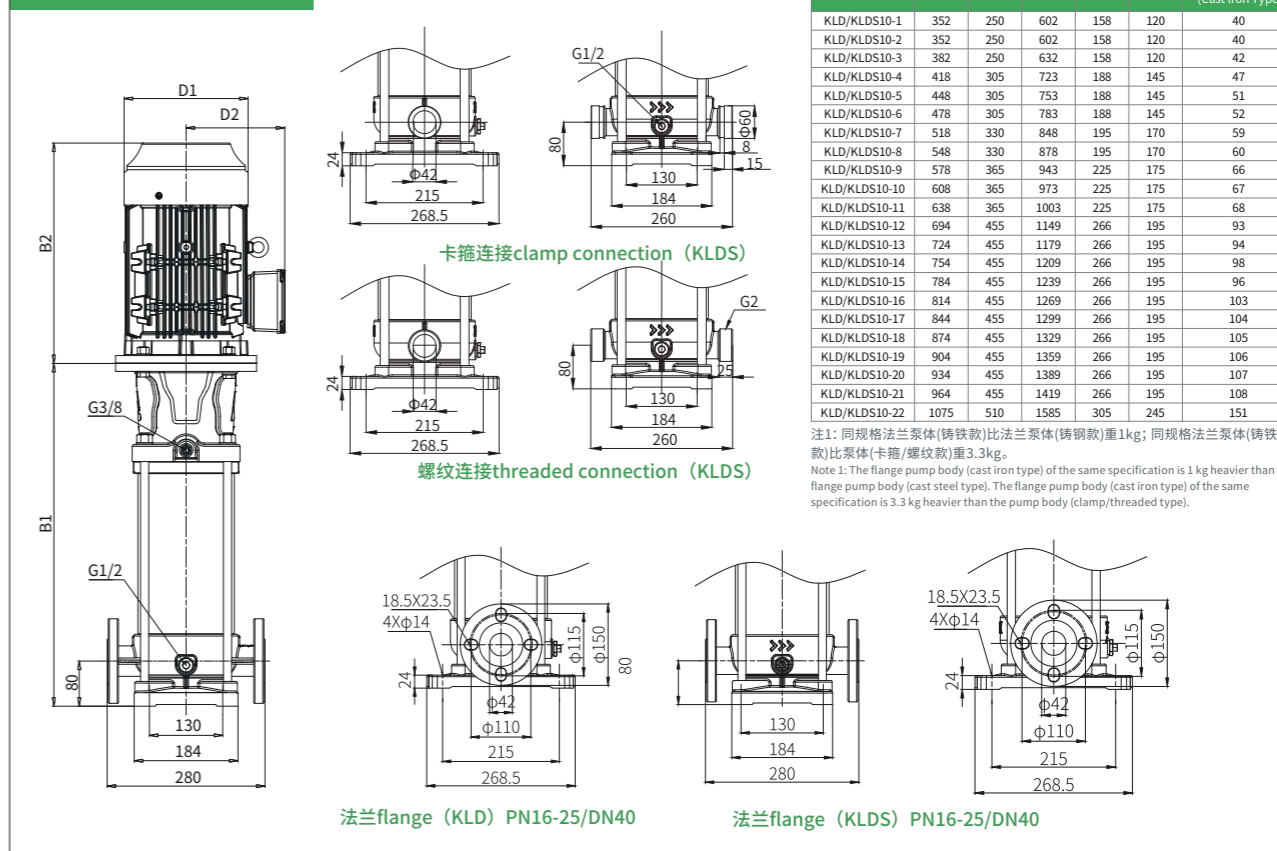
型号 Model	电机功率 Motor Power(kW)	$Q$ [ $m^3/h$ ]	0	2.5	3	4	5	6	7	8	8.5
KLD/KLDS5-2	0.37		14.7	13.5	13.3	12.5	11.5	9	7	5	4
KLD/KLDS5-3	0.55		22.1	21	20.5	19	17.5	15	12	9	7.5
KLD/KLDS5-4	0.55		29.5	28	27.5	26	24	21	17	13	11
KLD/KLDS5-5	0.75		37	35	34.5	33	30	27	23	18	15
KLD/KLDS5-6	1.1		44.5	42	41.5	40	37	33	27	21	18
KLD/KLDS5-7	1.1		52	49.5	48.5	46	42.5	38.5	31.5	24.5	21
KLD/KLDS5-8	1.1		59	57	56	53	49	44	36	28	24
KLD/KLDS5-9	1.5		67	64	63	60	55	49.5	41.5	31.5	27
KLD/KLDS5-10	1.5		47.5	71	70	66	62	55	46	35	30
KLD/KLDS5-11	1.5		82	78	77	73	68	61	51	39	33
KLD/KLDS5-12	2.2		89.5	85	84	81	74.5	66	55	43	37
KLD/KLDS5-13	2.2		97	92	91	87	80	71	60	47	40
KLD/KLDS5-14	2.2		104	100	98	93	87	77	65	51	43.5
KLD/KLDS5-15	2.2		112	107	106	100	93	82	69	54	46.5
KLD/KLDS5-16	2.2		119	114	112	107	99	88	74	58	50
KLD/KLDS5-17	3		127	121	118.5	113	105	94	79	63	53
KLD/KLDS5-18	3		134	128	126	120	111	99	84	66	56
KLD/KLDS5-20	3		149	143	140	133	124	110	93	73	63
KLD/KLDS5-21	3		157	150	147	140	130	116	98	77	66
KLD/KLDS5-22	4		164	157	154	146	136	122	103	82	70
KLD/KLDS5-23	4		172	165	161	153	142	128	108	86	74
KLD/KLDS5-24	4		179	172	168	160	149	133	113	90	77
KLD/KLDS5-25	4		187	178	175	167	155	139	117	93	80
KLD/KLDS5-27	4		202	193	189	180	168	150	127	101	86
KLD/KLDS5-28	4		210	201	197	187	174	156	132	105	90
KLD/KLDS5-29	5.5		217	208	204	194	180	163	139	111	95
KLD/KLDS5-30	5.5		225	216	212	201	186	169	144	115	98
KLD/KLDS5-33	5.5		249	238	234	222	206	187	160	127	109

KLD/KLDS10



KLD/KLDS10

安装尺寸图  
Installation dimension

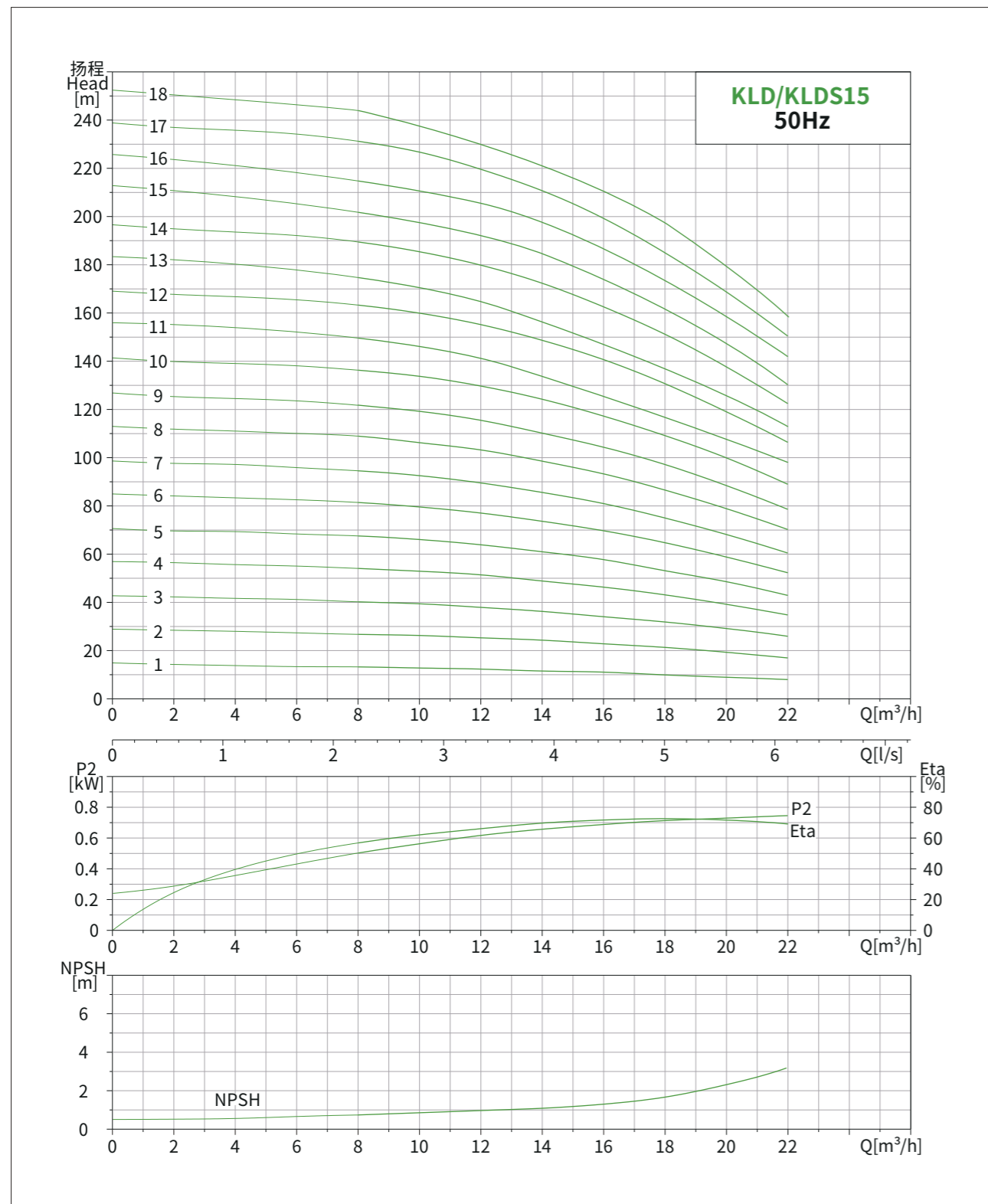


型号 Model	尺寸 Dimension (mm)					重量 Weight (kg) 法兰泵体铸铁款 Flange Pump Body (Cast Iron Type)
	B1	B2	B1+B2	D1	D2	
KLD/KLDS10-1	352	250	602	158	120	40
KLD/KLDS10-2	352	250	602	158	120	40
KLD/KLDS10-3	382	250	632	158	120	42
KLD/KLDS10-4	418	305	723	188	145	47
KLD/KLDS10-5	448	305	753	188	145	51
KLD/KLDS10-6	478	305	783	188	145	52
KLD/KLDS10-7	518	330	848	195	170	59
KLD/KLDS10-8	548	330	878	195	170	60
KLD/KLDS10-9	578	365	943	225	175	66
KLD/KLDS10-10	608	365	973	225	175	67
KLD/KLDS10-11	638	365	1003	225	175	68
KLD/KLDS10-12	694	455	1149	266	195	93
KLD/KLDS10-13	724	455	1179	266	195	94
KLD/KLDS10-14	754	455	1209	266	195	98
KLD/KLDS10-15	784	455	1239	266	195	96
KLD/KLDS10-16	814	455	1269	266	195	103
KLD/KLDS10-17	844	455	1299	266	195	104
KLD/KLDS10-18	874	455	1329	266	195	105
KLD/KLDS10-19	904	455	1359	266	195	106
KLD/KLDS10-20	934	455	1389	266	195	107
KLD/KLDS10-21	964	455	1419	266	195	108
KLD/KLDS10-22	1075	510	1585	305	245	151

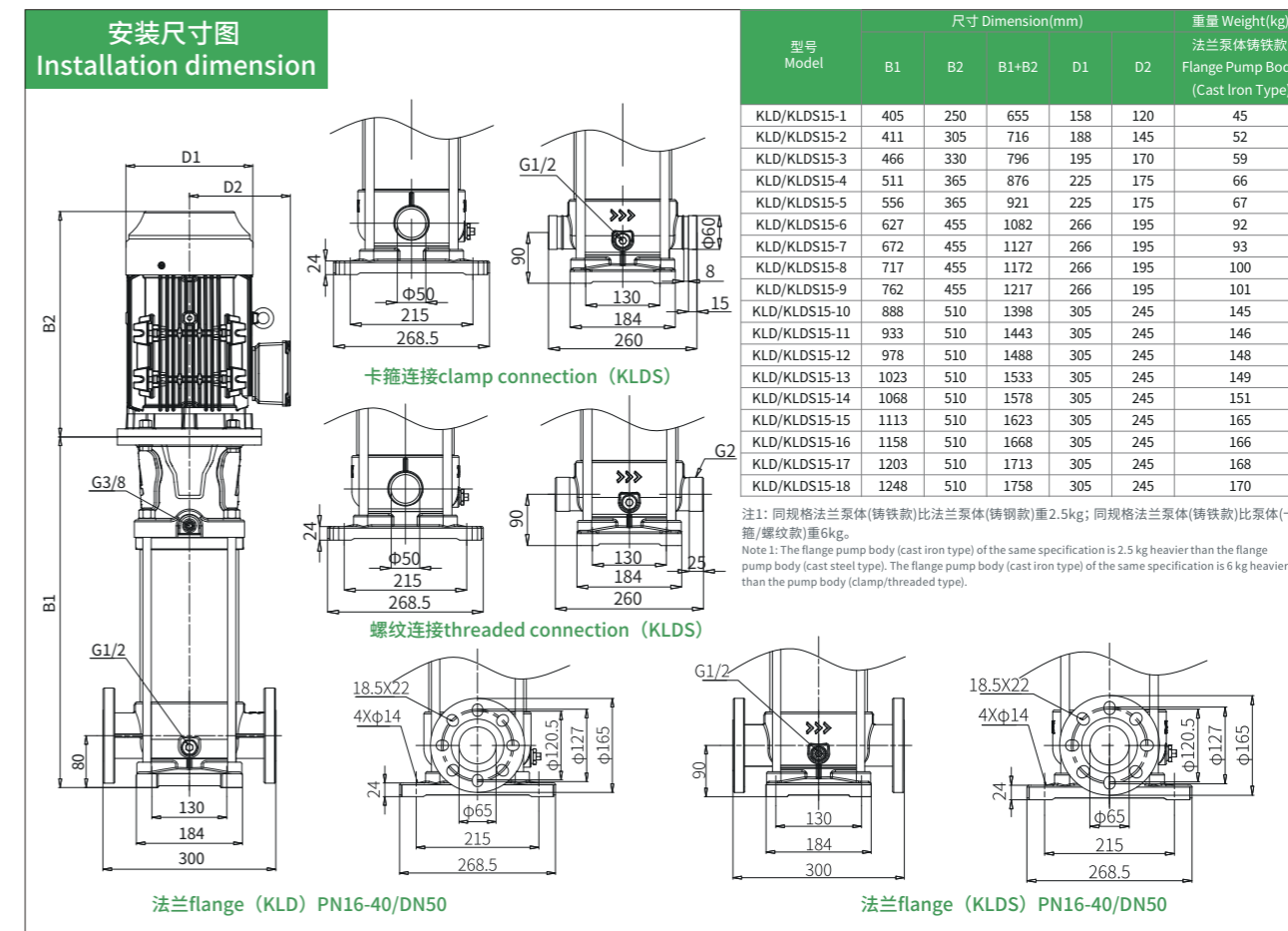
注1: 同规格法兰泵体(铸铁款)比法兰泵体(铸钢款)重1kg; 同规格法兰泵体(铸钢款)比泵体(卡箍/螺纹款)重3.3kg。  
Note 1: The flange pump body (cast iron type) of the same specification is 1 kg heavier than the flange pump body (cast steel type). The flange pump body (cast iron type) of the same specification is 3.3 kg heavier than the pump body (clamp/threaded type).

型号 Model	电机功率 Motor Power (kW)	Q [m³/h]	5	6	8	10	12	14
KLD/KLDS10-1	0.75		10.2	10	9	8	7	4.5
KLD/KLDS10-2	0.75		21	20.5	19	16.5	13.5	9.5
KLD/KLDS10-3	1.1		31.5	31	28.5	25.5	22	16.5
KLD/KLDS10-4	1.5		42	41	38	34	29	22
KLD/KLDS10-5	2.2		52.5	51	48	43	37	28
KLD/KLDS10-6	2.2		63	62	58	52	44	34
KLD/KLDS10-7	3		74	73	69	62	52	40
KLD/KLDS10-8	3		85	84	79	71	60	46
KLD/KLDS10-9	4		96	94	89	80	67	52
KLD/KLDS10-10	4		107	105	98	89	76	58
KLD/KLDS10-11	4		118	115	108	98	84	64
KLD/KLDS10-12	5.5		129	127	119	107	91	70
KLD/KLDS10-13	5.5		140	138	130	116	99	76
KLD/KLDS10-14	5.5		151	148	139	125	106	82
KLD/KLDS10-15	5.5		162	159	149	134	114	88
KLD/KLDS10-16	7.5		173	170	159	144	123	94
KLD/KLDS10-17	7.5		184	180	169	153	130	100
KLD/KLDS10-18	7.5		195	191	180	163	141	108
KLD/KLDS10-19	7.5		206	201	190	172	147	113
KLD/KLDS10-20	7.5		217	213	200	181	155	120
KLD/KLDS10-21	7.5		228	223	210	191	162	128
KLD/KLDS10-22	11		240	235	221	201	171	132

KLD/KLDS15

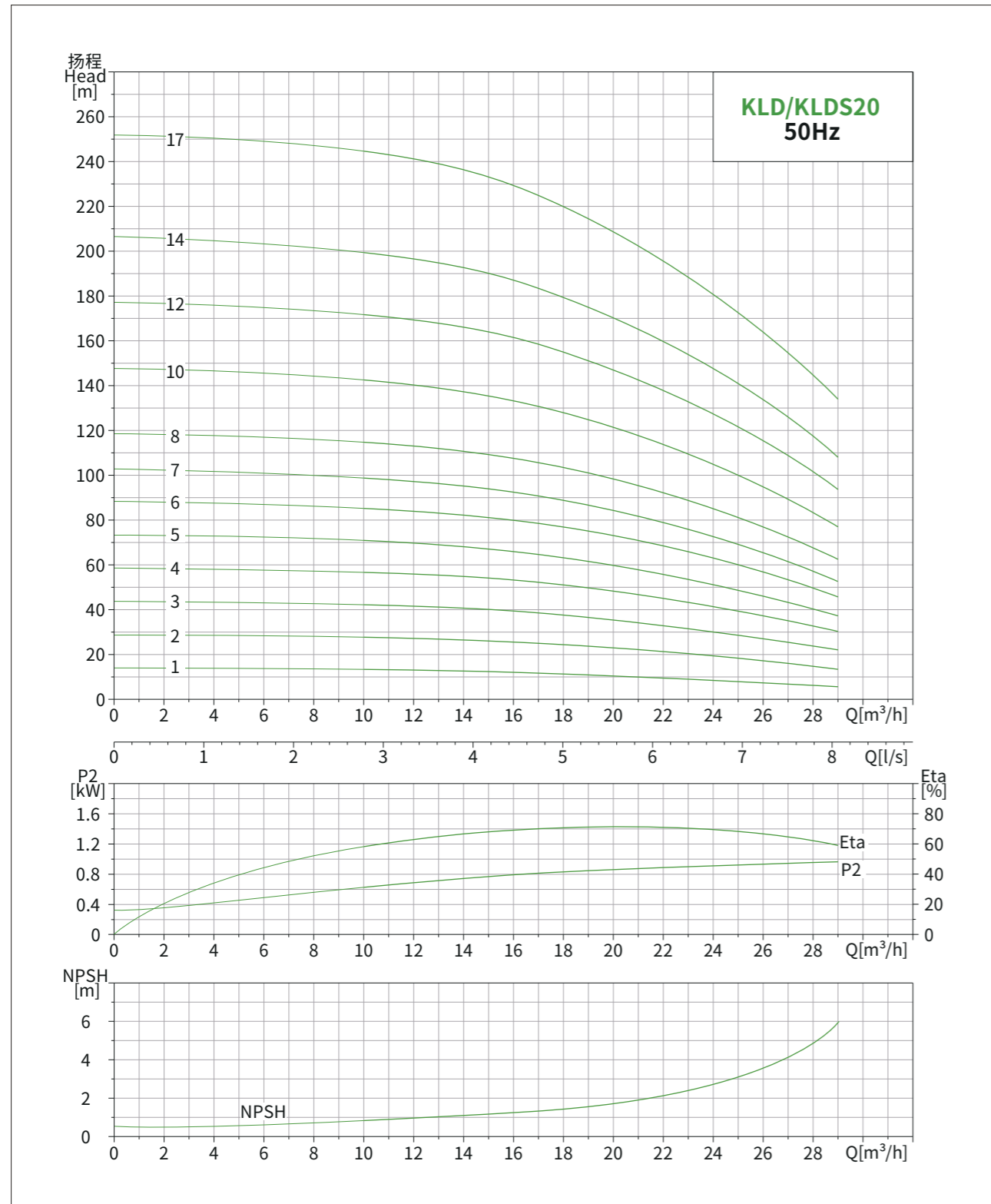


KLD/KLDS15

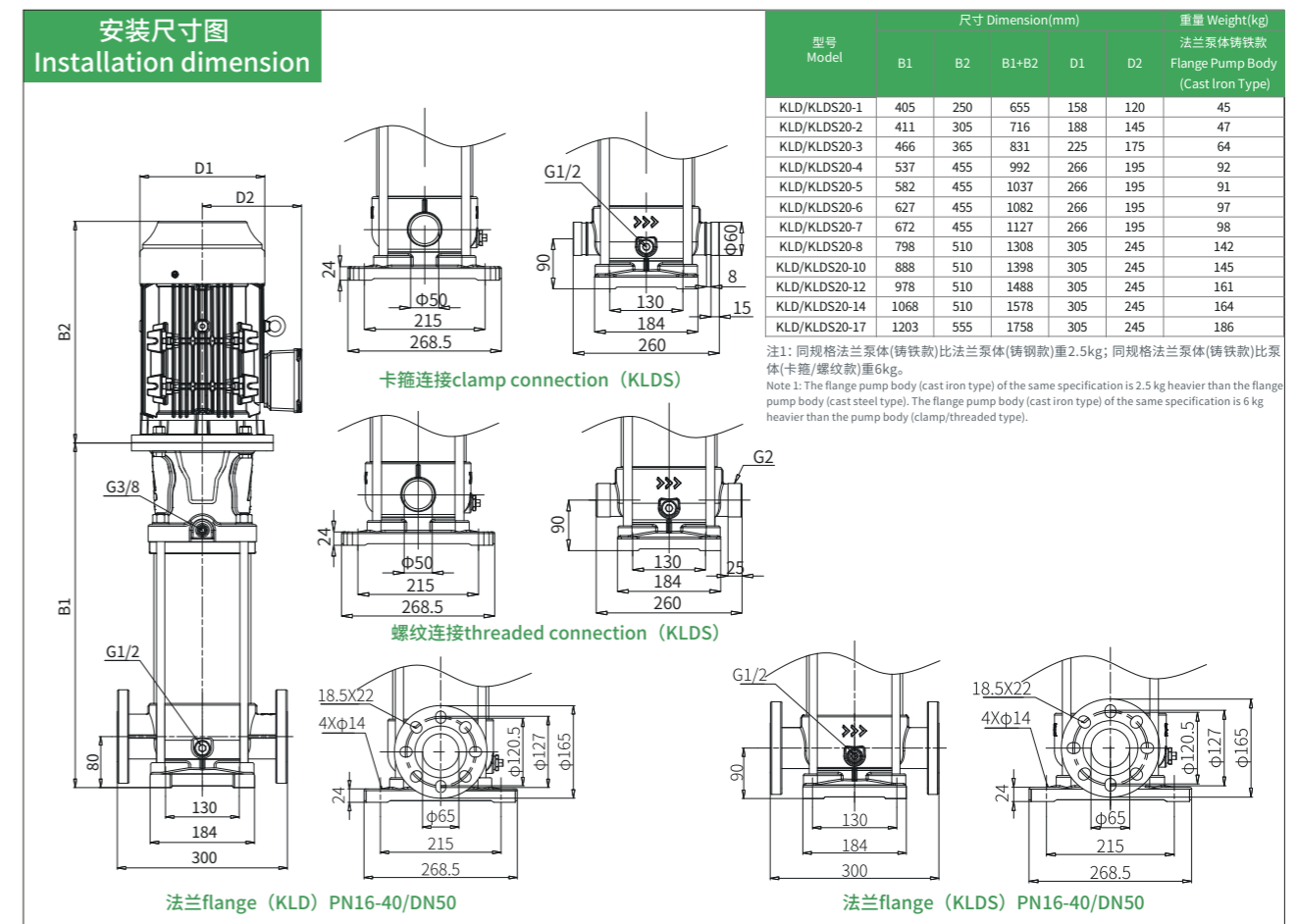


型号 Model	电机功率 Motor Power (kW)	Q [m <sup>3</sup> /h]	8	9	12	15	18	20	22
KLD/KLDS15-1	1.1	H(m)	13.5	13	12	11	10	9.5	8
KLD/KLDS15-2	2.2		28	26	25	23	21	19	17
KLD/KLDS15-3	3		41	40	38	35	32	29	25
KLD/KLDS15-4	4		56	55	51	47	43	39	35
KLD/KLDS15-5	4		68	66	64	58	53	49	43
KLD/KLDS15-6	5.5		82	80	77	71	64	59	52
KLD/KLDS15-7	5.5		95	94	89	83	75	68	60
KLD/KLDS15-8	7.5		110	108	103	96	86	79	70
KLD/KLDS15-9	7.5		123	120	115	108	97	89	78
KLD/KLDS15-10	11		138	136	129	120	109	100	89
KLD/KLDS15-11	11		151	149	142	130	119	109	98
KLD/KLDS15-12	11		165	162	155	142	130	119	107
KLD/KLDS15-13	11		176	174	166	153	139	128	113
KLD/KLDS15-14	11		190	188	180	166	151	138	122
KLD/KLDS15-15	15		203	202	192	180	162	148	130
KLD/KLDS15-16	15		217	214	205	191	174	159	141
KLD/KLDS15-17	15		232	230	219	205	185	169	150
KLD/KLDS15-18	15		245	243	230	216	196	179	159

KLD/KLDS20

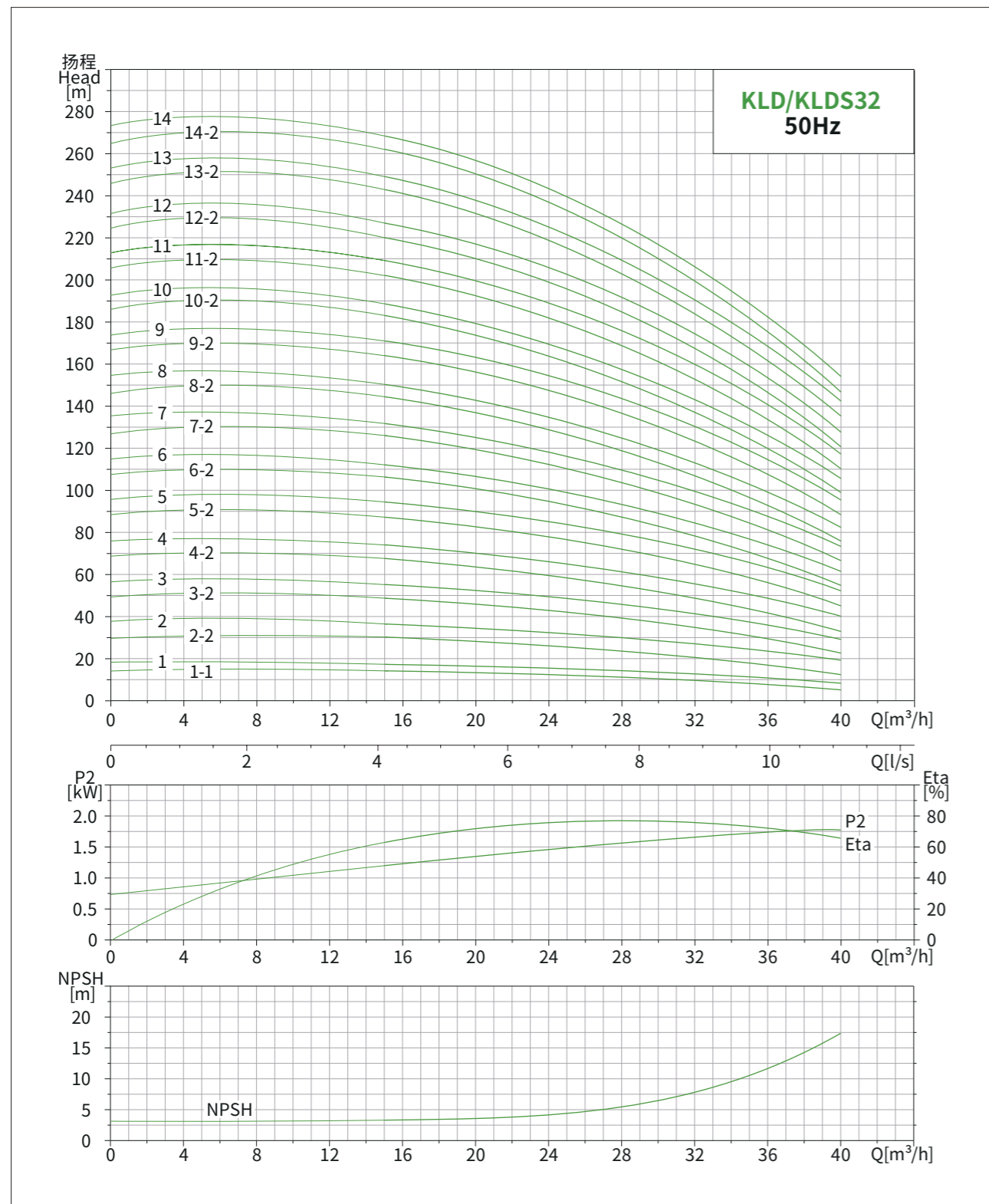


KLD/KLDS20



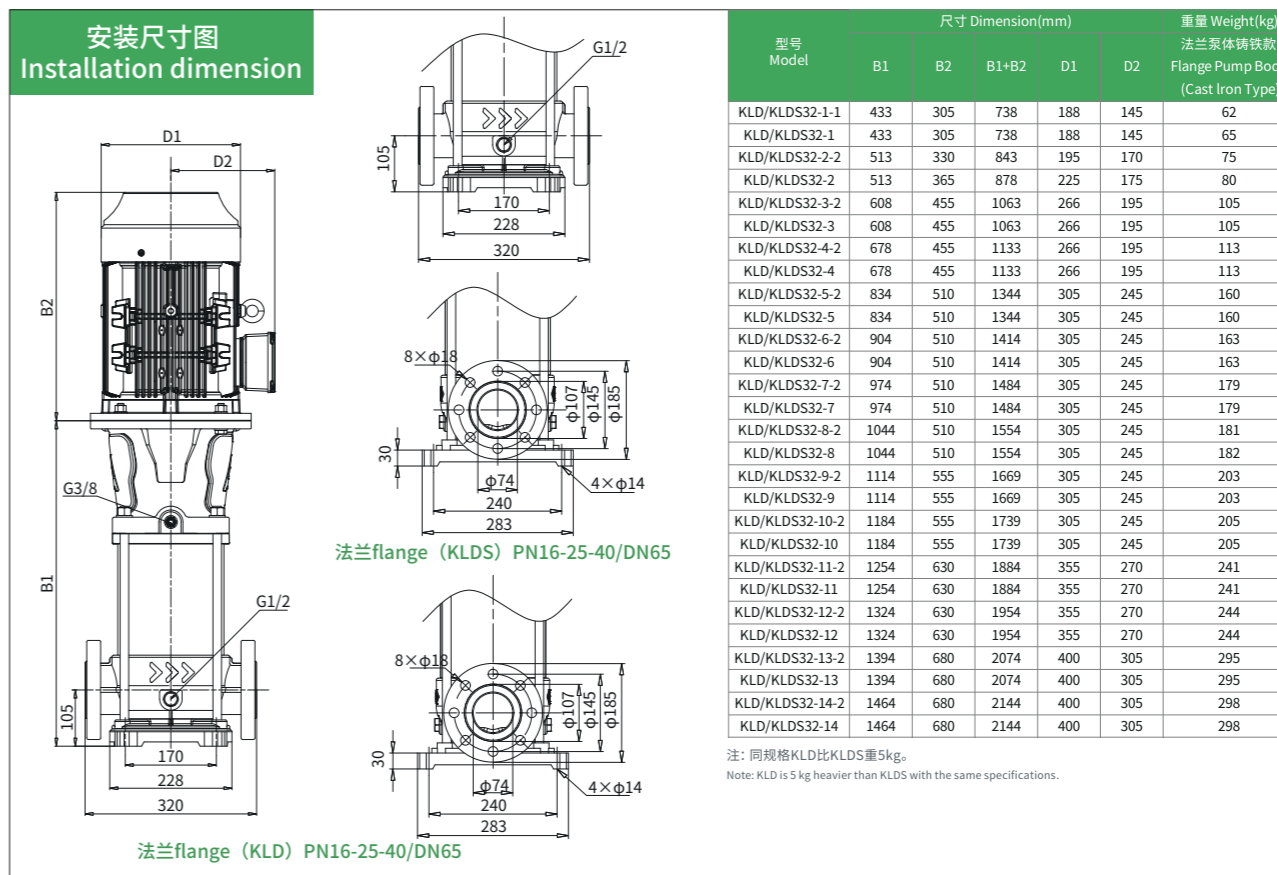
型号 Model	电机功率 Motor Power (kW)	Q [m³/h]	10	12	16	18	20	24	26	29
KLD/KLDS20-1	1.1	H(m)	13	13	12	11	10.5	9	8	5
KLD/KLDS20-2	2.2		28	27	25	24	22.5	19	18	12
KLD/KLDS20-3	4		43	42	39	38	36	30	28	22
KLD/KLDS20-4	5.5		57	56	53	51	48	41	38	30
KLD/KLDS20-5	5.5		71	70	66	63	60	52	46	38
KLD/KLDS20-6	7.5		86	84	80	77	72	62	57	45
KLD/KLDS20-7	7.5		99	97	93	88	84	72	65	52
KLD/KLDS20-8	11		116	113	107	104	96	85	77	62
KLD/KLDS20-10	11		144	140	132	128	120	105	95	78
KLD/KLDS20-12	15		173	169	161	155	144	127	115	93
KLD/KLDS20-14	15		200	197	187	180	168	147	133	108
KLD/KLDS20-17	18.5		245	241	229	220	205	181	163	134

KLD/KLDS32



KLD/KLDS32

安装尺寸图  
Installation dimension

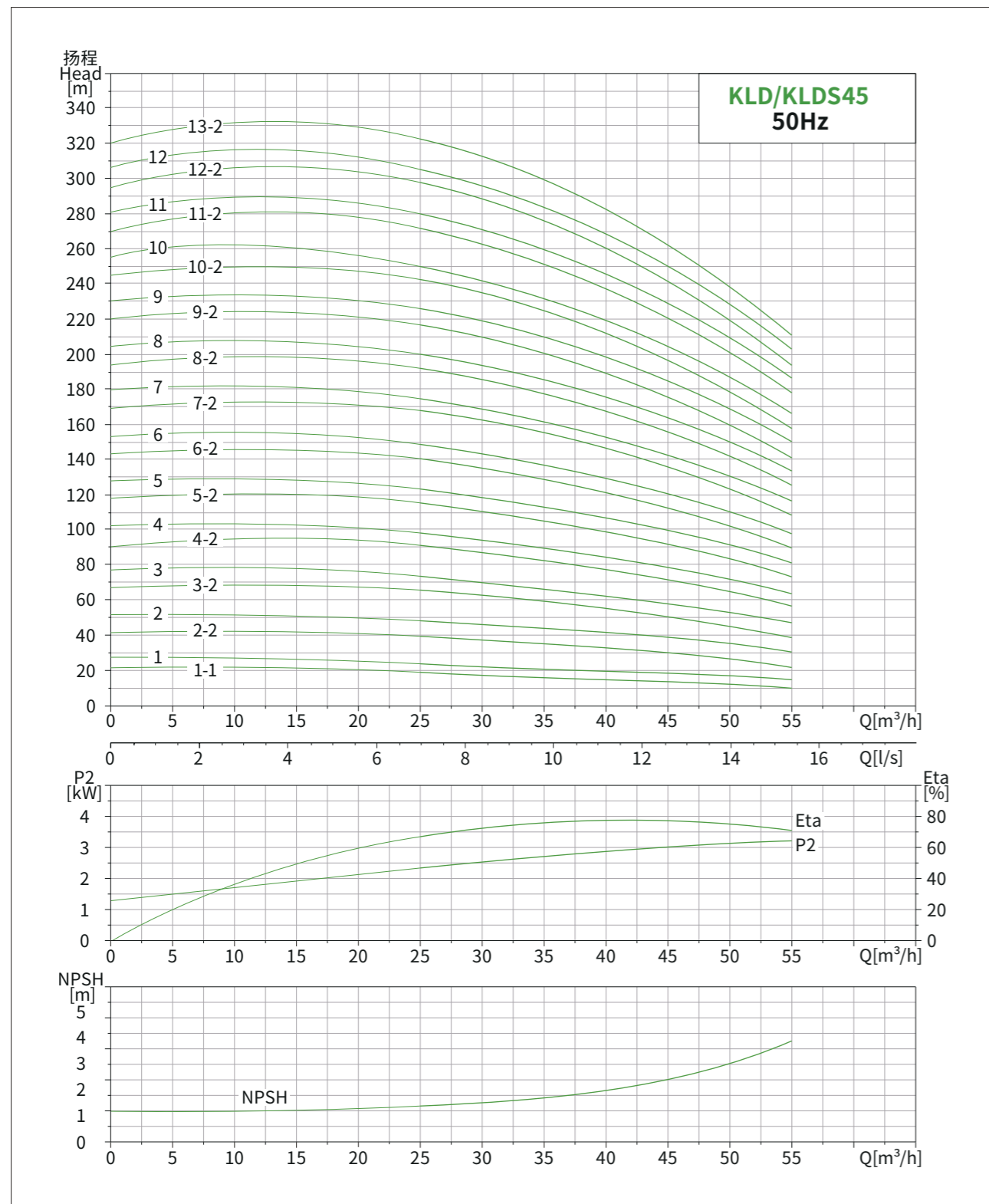


型号 Model	尺寸 Dimension(mm)					重量 Weight(kg)
	B1	B2	B1+B2	D1	D2	法兰泵体铸铁款 Flange Pump Body (Cast Iron Type)
KLD/KLDS32-1-1	433	305	738	188	145	62
KLD/KLDS32-1	433	305	738	188	145	65
KLD/KLDS32-2-2	513	330	843	195	170	75
KLD/KLDS32-2	513	365	878	225	175	80
KLD/KLDS32-3-2	608	455	1063	266	195	105
KLD/KLDS32-3	608	455	1063	266	195	105
KLD/KLDS32-4-2	678	455	1133	266	195	113
KLD/KLDS32-4	678	455	1133	266	195	113
KLD/KLDS32-5-2	834	510	1344	305	245	160
KLD/KLDS32-5	834	510	1344	305	245	160
KLD/KLDS32-6-2	904	510	1414	305	245	163
KLD/KLDS32-6	904	510	1414	305	245	163
KLD/KLDS32-7-2	974	510	1484	305	245	179
KLD/KLDS32-7	974	510	1484	305	245	179
KLD/KLDS32-8-2	1044	510	1554	305	245	181
KLD/KLDS32-8	1044	510	1554	305	245	182
KLD/KLDS32-9-2	1114	555	1669	305	245	203
KLD/KLDS32-9	1114	555	1669	305	245	203
KLD/KLDS32-10-2	1184	555	1739	305	245	205
KLD/KLDS32-10	1184	555	1739	305	245	205
KLD/KLDS32-11-2	1254	630	1884	355	270	241
KLD/KLDS32-11	1254	630	1884	355	270	241
KLD/KLDS32-12-2	1324	630	1954	355	270	244
KLD/KLDS32-12	1324	630	1954	355	270	244
KLD/KLDS32-13-2	1394	680	2074	400	305	295
KLD/KLDS32-13	1394	680	2074	400	305	295
KLD/KLDS32-14-2	1464	680	2144	400	305	298
KLD/KLDS32-14	1464	680	2144	400	305	298

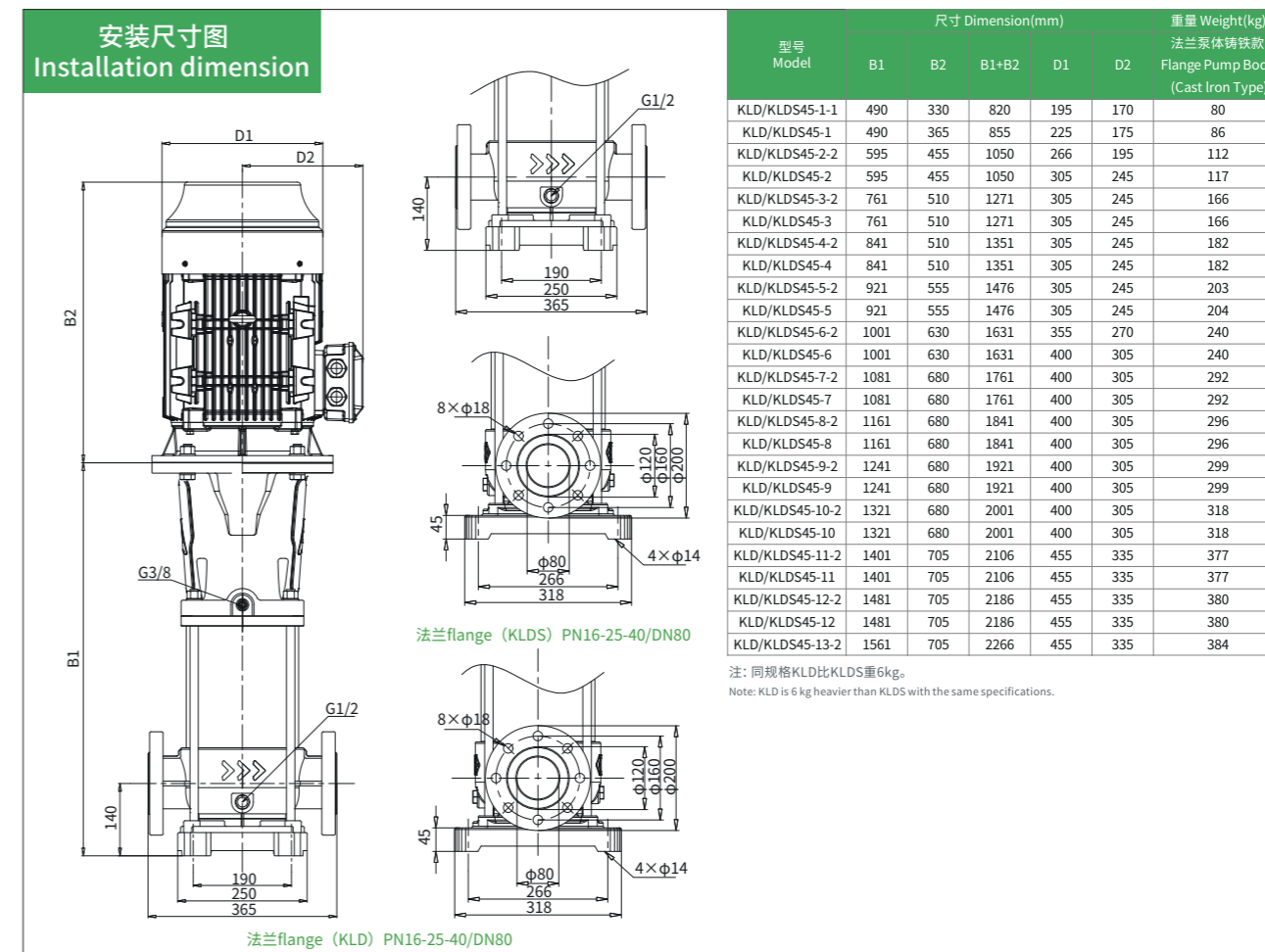
注：同规格KLD比KLDS重5kg。  
Note: KLD is 5 kg heavier than KLDS with the same specifications.

型号 Model	电机功率 Motor Power(kW)	Q [m³/h]	15	20	25	32	35	40
KLD/KLDS32-1-1	1.5	H(m)	15	14	13	10	8	5
KLD/KLDS32-1	2.2		18	17	16	13	11.5	9
KLD/KLDS32-2-2	3.0		31	29.5	26.5	20.5	17.5	12
KLD/KLDS32-2	4.0		37	35.5	32.5	27.5	25	19.5
KLD/KLDS32-3-2	5.5		50	47	43.5	35.5	31	22.5
KLD/KLDS32-3	5.5		55.5	53	49	41.5	37.5	29.5
KLD/KLDS32-4-2	7.5		68.5	65	60	49.5	44	32.5
KLD/KLDS32-4	7.5		74.5	70.5	66	56	50.5	40
KLD/KLDS32-5-2	11		88.5	84.5	78	65.5	58.5	45
KLD/KLDS32-5	11		94.5	90	84	72	65	52
KLD/KLDS32-6-2	11		107	102	94.5	79.5	71	55
KLD/KLDS32-6	11		113	108	100	85.5	77.5	61.5
KLD/KLDS32-7-2	15		127	121	112	94.5	85	66.5
KLD/KLDS32-7	15		133	126	118	101	92	73.5
KLD/KLDS32-8-2	15	145	138	128	108	98	76.5	
KLD/KLDS32-8	15	151	144	134	115	104	83	
KLD/KLDS32-9-2	18.5	165	158	147	124	112	88.5	
KLD/KLDS32-9	18.5	171	163	152	131	119	95.5	
KLD/KLDS32-10-2	18.5	184	175	163	138	125	98.5	
KLD/KLDS32-10	18.5	190	181	169	145	133	106	
KLD/KLDS32-11-2	22	203	194	181	154	140	111	
KLD/KLDS32-11	22	209	200	187	161	147	118	
KLD/KLDS32-12-2	22	222	212	197	168	152	121	
KLD/KLDS32-12	22	227	217	203	176	160	128	
KLD/KLDS32-13-2	30	244	233	218	187	169	136	
KLD/KLDS32-13	30	250	239	224	193	177	145	
KLD/KLDS32-14-2	30	263	251	234	201	183	146	
KLD/KLDS32-14	30	269	258	241	207	188	156	

KLD/KLDS45



KLD/KLDS45

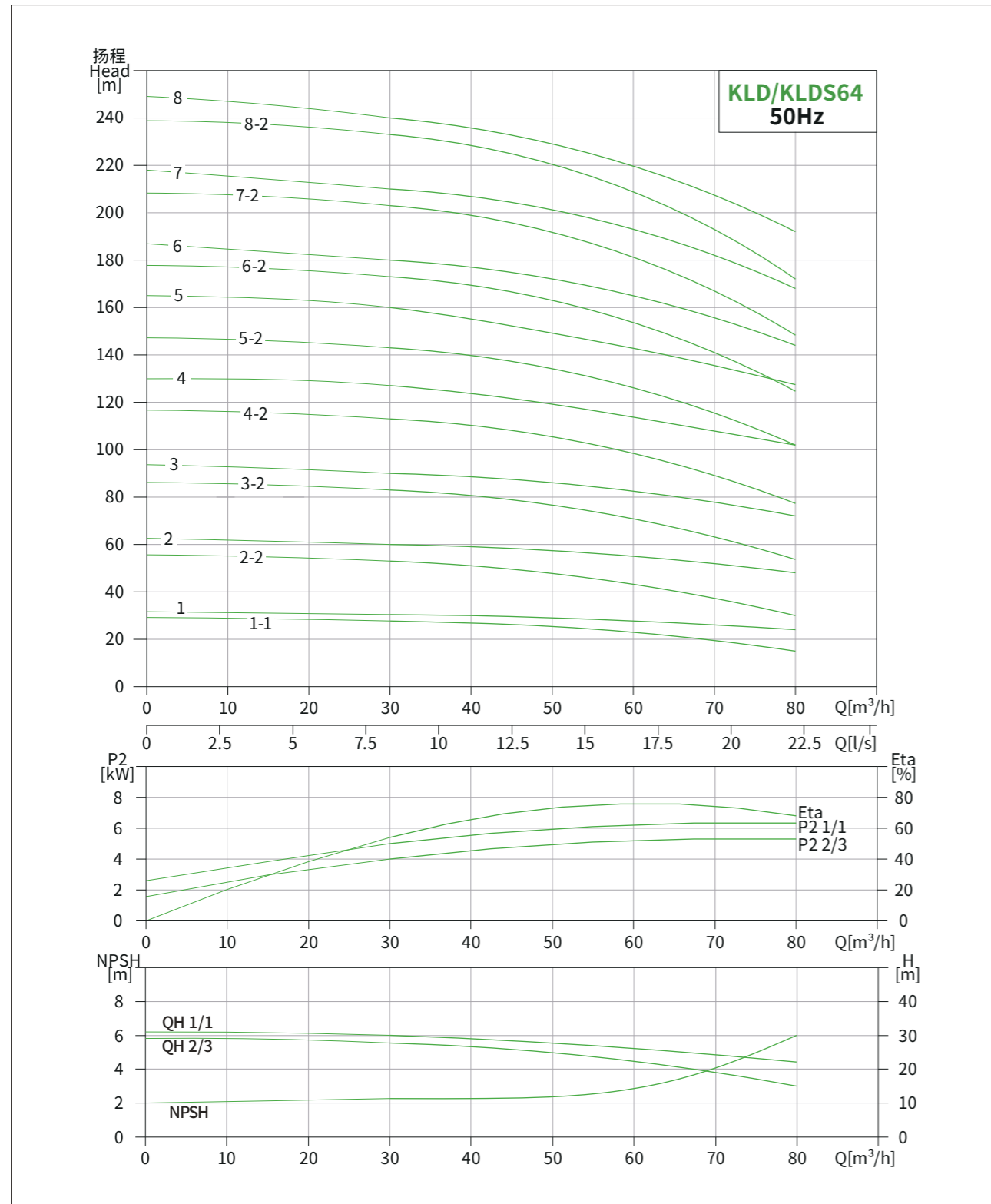


型号 Model	尺寸 Dimension(mm)					重量 Weight(kg)
	B1	B2	B1+B2	D1	D2	法兰泵体铸铁款 (Cast Iron Type)
KLD/KLDS45-1-1	490	330	820	195	170	80
KLD/KLDS45-1	490	365	855	225	175	86
KLD/KLDS45-2-2	595	455	1050	266	195	112
KLD/KLDS45-2	595	455	1050	305	245	117
KLD/KLDS45-3-2	761	510	1271	305	245	166
KLD/KLDS45-3	761	510	1271	305	245	166
KLD/KLDS45-4-2	841	510	1351	305	245	182
KLD/KLDS45-4	841	510	1351	305	245	182
KLD/KLDS45-5-2	921	555	1476	305	245	203
KLD/KLDS45-5	921	555	1476	305	245	204
KLD/KLDS45-6-2	1001	630	1631	355	270	240
KLD/KLDS45-6	1001	630	1631	400	305	240
KLD/KLDS45-7-2	1081	680	1761	400	305	292
KLD/KLDS45-7	1081	680	1761	400	305	292
KLD/KLDS45-8-2	1161	680	1841	400	305	296
KLD/KLDS45-8	1161	680	1841	400	305	296
KLD/KLDS45-9-2	1241	680	1921	400	305	299
KLD/KLDS45-9	1241	680	1921	400	305	299
KLD/KLDS45-10-2	1321	680	2001	400	305	318
KLD/KLDS45-10	1321	680	2001	400	305	318
KLD/KLDS45-11-2	1401	705	2106	455	335	377
KLD/KLDS45-11	1401	705	2106	455	335	377
KLD/KLDS45-12-2	1481	705	2186	455	335	380
KLD/KLDS45-12	1481	705	2186	455	335	380
KLD/KLDS45-13-2	1561	705	2266	455	335	384

注：同规格KLD比KLDS重6kg。  
Note: KLD is 6 kg heavier than KLDS with the same specifications.

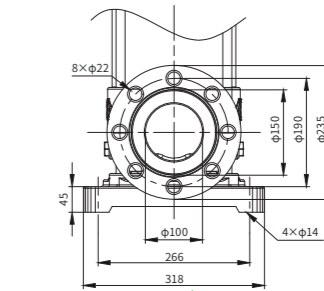
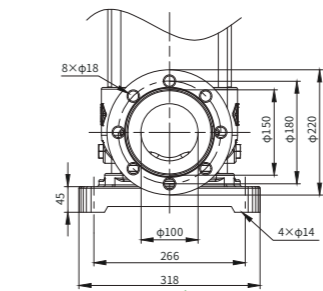
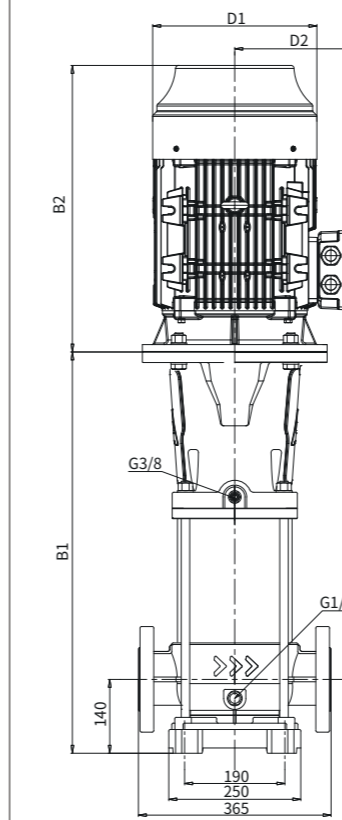
型号 Model	电机功率 Motor Power(kW)	Q [m³/h]	25	30	35	40	45	50	55
KLD/KLDS45-1-1	3.0		20	19.5	18	17	15	12.5	10.5
KLD/KLDS45-1	4.0		24	23	22	20.5	19	17.5	15
KLD/KLDS45-2-2	5.5		41	39	37	34	30.5	26.5	22
KLD/KLDS45-2	7.5		48.5	46.5	44.5	42	39	35	31
KLD/KLDS45-3-2	11		66	64	61	56.5	52	46	40
KLD/KLDS45-3	11		73.5	71	68	64	59.5	54	47.5
KLD/KLDS45-4-2	15		91	88	84	78.5	72	64.5	56
KLD/KLDS45-4	15		98.5	95	91	85.5	79.5	72.5	64
KLD/KLDS45-5-2	18.5		116	113	107	101	92.5	83.5	73
KLD/KLDS45-5	18.5		124	120	115	108	100	91.5	81
KLD/KLDS45-6-2	22		142	137	131	122	113	103	90
KLD/KLDS45-6	22		149	144	138	130	121	111	98
KLD/KLDS45-7-2	30		168	163	156	147	135	123	109
KLD/KLDS45-7	30		176	171	163	156	144	132	116
KLD/KLDS45-8-2	30		193	187	179	168	155	142	126
KLD/KLDS45-8	30		200	194	187	176	164	149	134
KLD/KLDS45-9-2	30		217	211	202	189	175	159	142
KLD/KLDS45-9	30		226	219	210	199	185	170	151
KLD/KLDS45-10-2	37		243	236	225	212	196	179	159
KLD/KLDS45-10	37		251	243	233	220	205	187	166
KLD/KLDS45-11-2	45		273	264	253	238	222	201	179
KLD/KLDS45-11	45		281	272	261	246	230	209	187
KLD/KLDS45-12-2	45		298	289	276	261	242	220	195
KLD/KLDS45-12	45		306	296	284	268	251	229	204
KLD/KLDS45-13-2	45		323	313	300	283	263	239	212

KLD/KLDS64



KLD/KLDS64

安装尺寸图  
Installation dimension

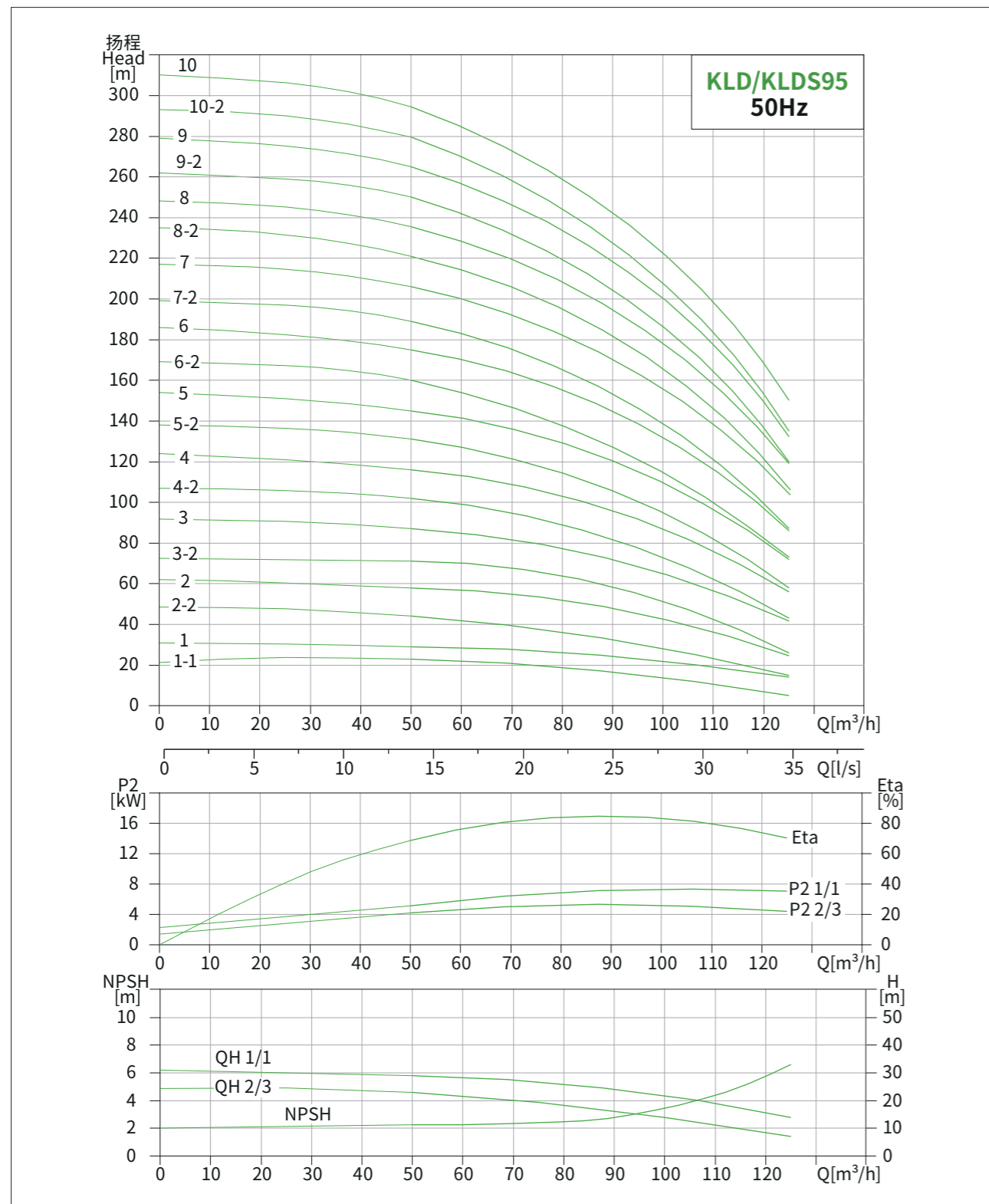


型号 Model	尺寸 Dimension(mm)					重量 Weight(kg)
	B1	B2	B1+B2	D1	D2	法兰泵体铸铁款 Flange Pump Body (Cast Iron Type)
KLD/KLDS64-1-1	527	455	982	266	195	110
KLD/KLDS64-1	527	455	982	266	195	115
KLD/KLDS64-2-2	696	510	1206	305	245	164
KLD/KLDS64-2	696	510	1206	305	245	177
KLD/KLDS64-3-2	779	555	1334	305	245	199
KLD/KLDS64-3	779	630	1409	355	270	232
KLD/KLDS64-4-2	862	680	1542	400	305	285
KLD/KLDS64-4	862	680	1542	400	305	285
KLD/KLDS64-5-2	945	680	1625	400	305	304
KLD/KLDS64-5	945	680	1625	400	305	304
KLD/KLDS64-6-2	1028	705	1733	455	335	362
KLD/KLDS64-6	1028	705	1733	455	335	364
KLD/KLDS64-7-2	1141	780	1921	490	370	453
KLD/KLDS64-7	1141	780	1921	490	370	454
KLD/KLDS64-8-2	1224	780	2004	490	370	458
KLD/KLDS64-8	1224	780	2004	490	370	461

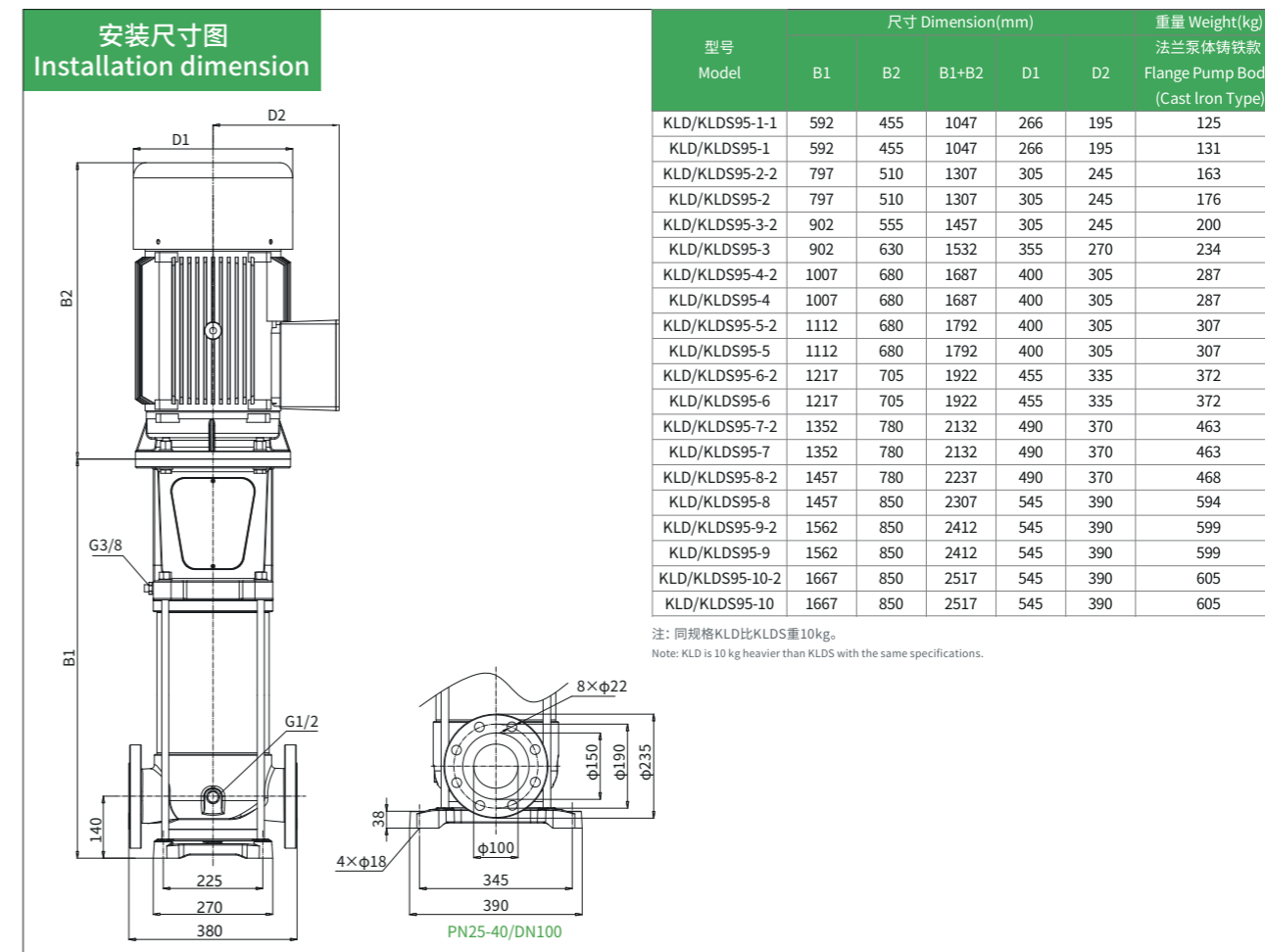
注：同规格KLD比KLDS重4.7kg。  
Note: KLD is 4.7 kg heavier than KLDS with the same specifications.

型号 Model	电机功率 Motor Power(kW)	Q [m³/h]	30	40	50	60	64	70	80
KLD/KLDS64-1-1	5.5	H(m)	27	25	23	21	20	18	15
KLD/KLDS64-1	7.5		30	29.5	29	28	27	26	24
KLD/KLDS64-2-2	11		53	51	47	43	41	37	30
KLD/KLDS64-2	15		60	59	58	55	54	52	48
KLD/KLDS64-3-2	18.5		83	81	76	71	68	63	54
KLD/KLDS64-3	22		90	89	86	83	81	78	72
KLD/KLDS64-4-2	30		113	110	105	98	95	89	78
KLD/KLDS64-4	30		128	124	119	114	111	108	102
KLD/KLDS64-5-2	37		143	140	133	126	122	115	102
KLD/KLDS64-5	37		160	155	149	143	140	135	128
KLD/KLDS64-6-2	45		173	170	162	153	149	141	126
KLD/KLDS64-6	45		180	178	173	165	162	156	144
KLD/KLDS64-7-2	55		203	199	191	181	176	167	150
KLD/KLDS64-7	55		210	207	201	193	189	182	168
KLD/KLDS64-8-2	55		233	229	220	208	203	193	174
KLD/KLDS64-8	55		240	237	230	220	216	208	192

KLD/KLDS95

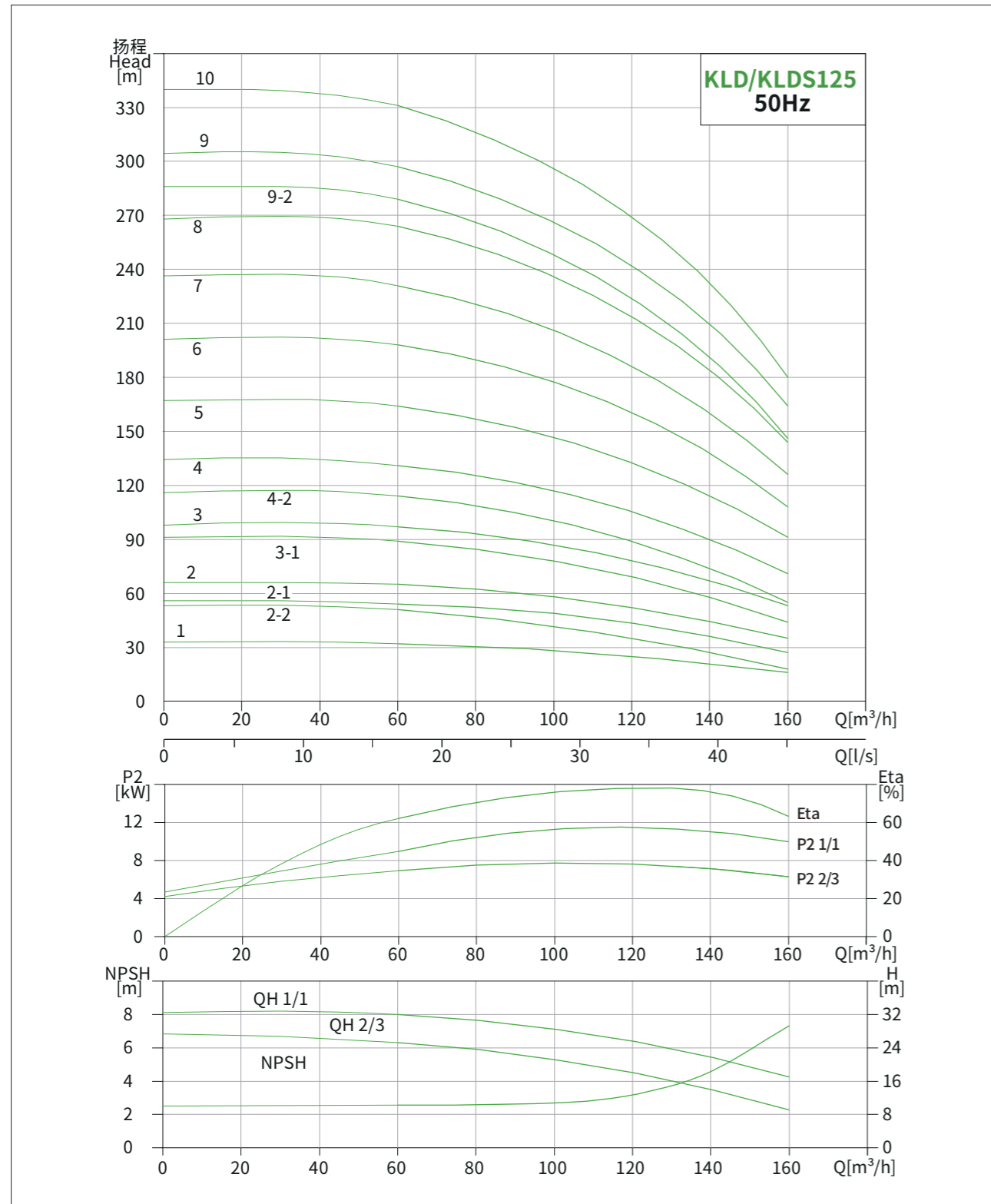


KLD/KLDS95

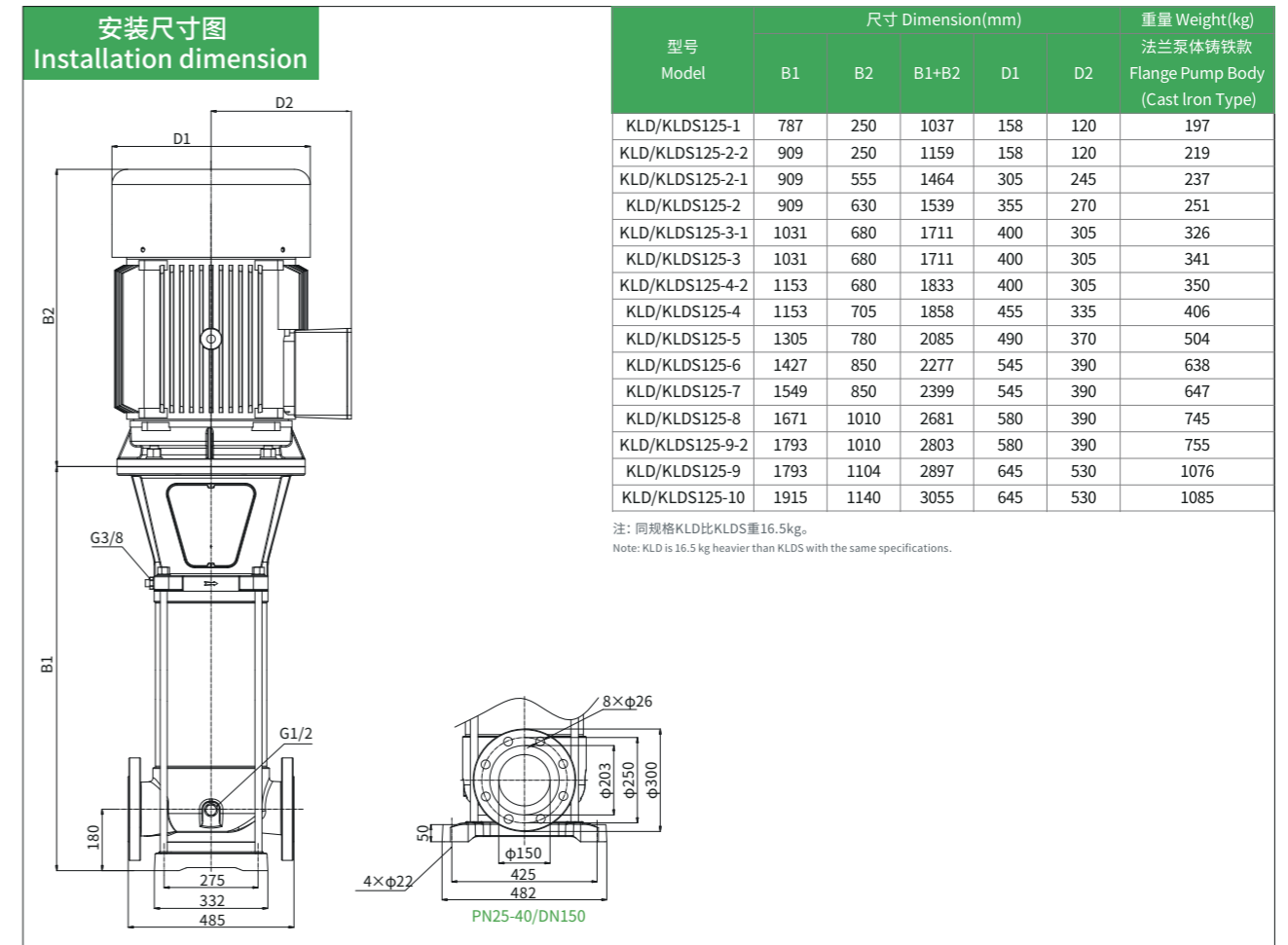


型号 Model	电机功率 Motor Power(kW)	Q [m³/h]	50	60	70	80	90	95	110	120	125
KLD/KLDS95-1-1	5.5		23	22	20	18	16	15	11	8	7
KLD/KLDS95-1	7.5		29	28	27	26	24	23	18	16	14
KLD/KLDS95-2-2	11		44	43	41	38	34	31	23	17	15
KLD/KLDS95-2	15		58	56	54	52	49	46	37	31	28
KLD/KLDS95-3-2	18.5		71	68	66	62	57	55	42	31	26
KLD/KLDS95-3	22		87	84	81	78	73	69	56	48	43
KLD/KLDS95-4-2	30		102	99	95	90	83	78	60	48	43
KLD/KLDS95-4	30		116	113	109	104	97	92	76	64	58
KLD/KLDS95-5-2	37		131	127	122	116	107	100	79	65	58
KLD/KLDS95-5	37		145	141	136	130	122	115	96	80	72
KLD/KLDS95-6-2	45		160	156	150	142	131	123	99	81	73
KLD/KLDS95-6	45		175	170	164	157	146	139	115	96	89
KLD/KLDS95-7-2	55		189	184	177	168	156	147	119	97	87
KLD/KLDS95-7	55		206	202	193	183	172	164	138	114	105
KLD/KLDS95-8-2	55		221	215	207	197	182	175	142	115	103
KLD/KLDS95-8	75		235	231	221	209	197	187	158	130	120
KLD/KLDS95-9-2	75		250	245	234	221	206	195	161	131	120
KLD/KLDS95-9	75		265	260	248	235	221	211	177	147	135
KLD/KLDS95-10-2	75		279	274	262	247	231	219	181	147	135
KLD/KLDS95-10	75		294	289	279	261	246	234	197	163	150

KLD/KLDS125

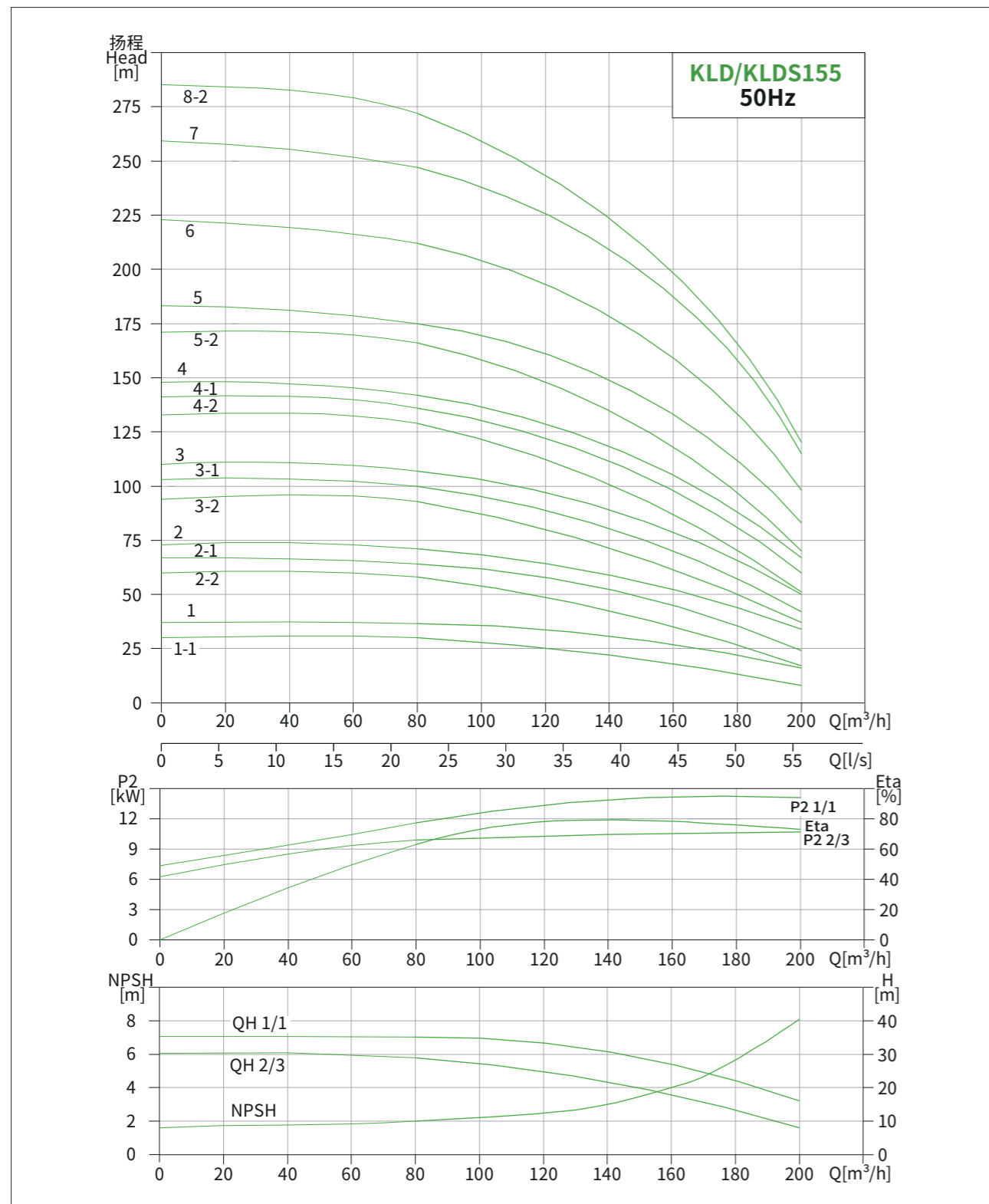


KLD/KLDS125

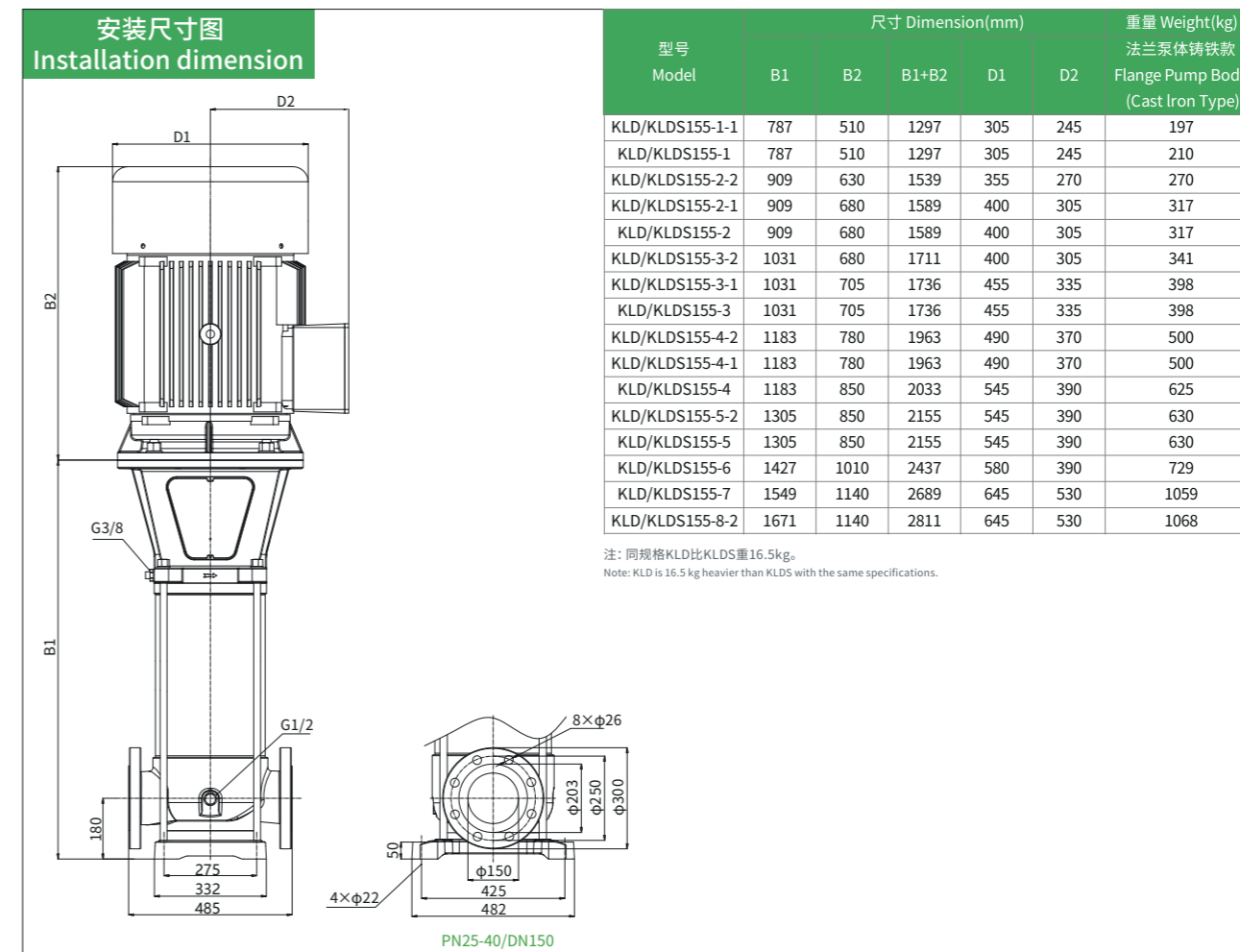


型号 Model	电机功率 Motor Power (kW)	Q [m³/h]	60	70	80	90	100	110	120	125	140	150	160
KLD/KLDS125-1	11	H(m)	32	31	30	29	28	27	25	24	22	20	17
KLD/KLDS125-2-2	15		51	48	46	43	40	37	34	33	27	23	18
KLD/KLDS125-2-1	18.5		54	52	51	50	49	47	45	43	35	31	27
KLD/KLDS125-2	22		65	64	62	60	58	56	52	50	44	40	35
KLD/KLDS125-3-1	30		89	87	85	82	78	74	70	67	58	51	44
KLD/KLDS125-3	37		97	96	94	91	87	83	77	75	67	61	53
KLD/KLDS125-4-2	37		114	111	108	104	98	94	89	85	74	64	55
KLD/KLDS125-4	45		131	129	125	121	117	113	105	101	89	82	71
KLD/KLDS125-5	55		164	162	158	152	147	142	133	128	114	103	91
KLD/KLDS125-6	75		198	196	189	182	178	170	161	155	137	122	108
KLD/KLDS125-7	75	231	227	222	218	209	199	187	180	159	144	126	
KLD/KLDS125-8	90	264	260	254	248	238	228	213	206	182	164	144	
KLD/KLDS125-9-2	90	279	274	269	261	250	239	224	216	188	168	146	
KLD/KLDS125-9	110	297	293	287	279	268	257	243	235	207	187	164	
KLD/KLDS125-10	110	331	325	318	311	298	284	270	260	230	207	182	

KLD/KLDS155

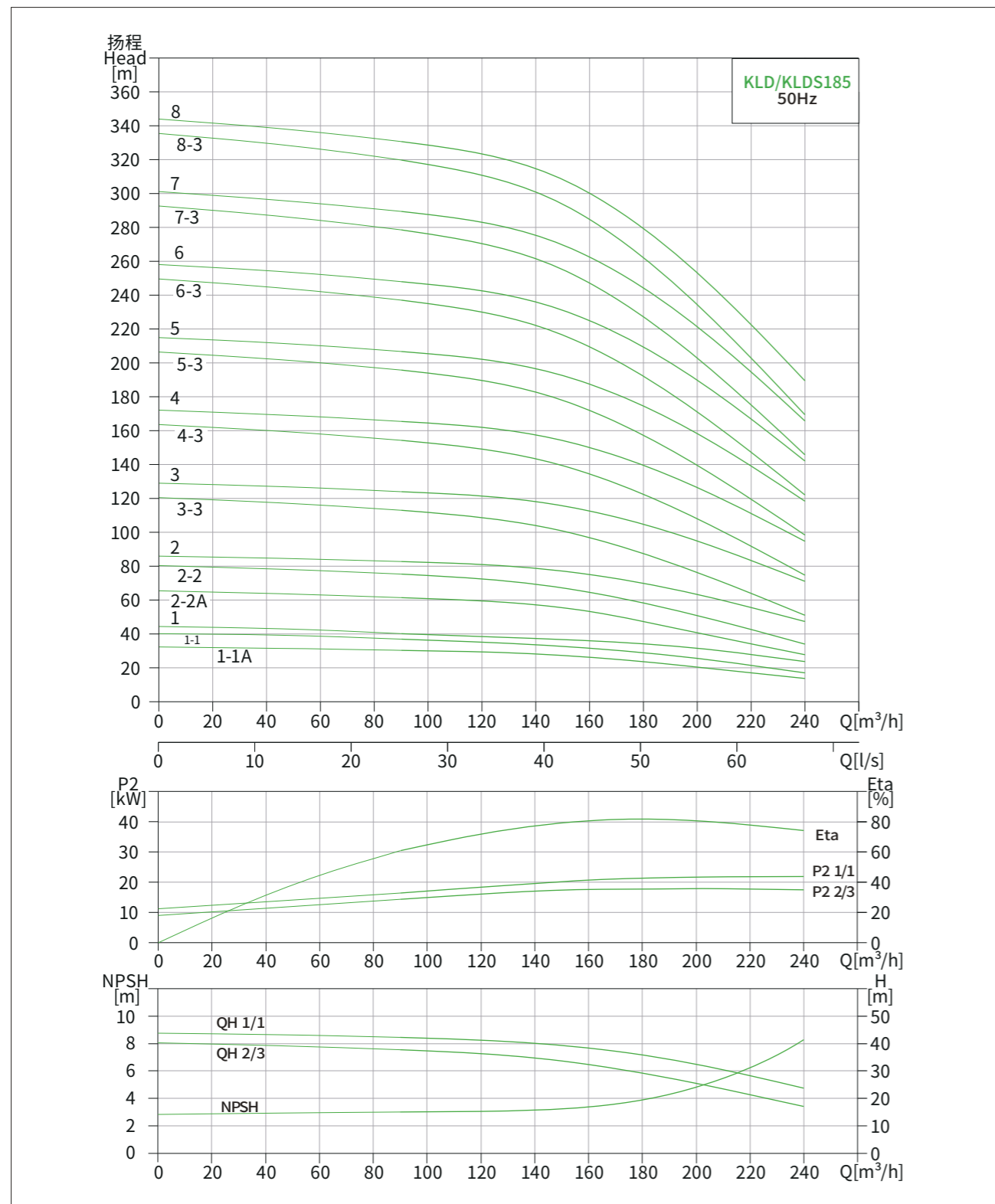


KLD/KLDS155

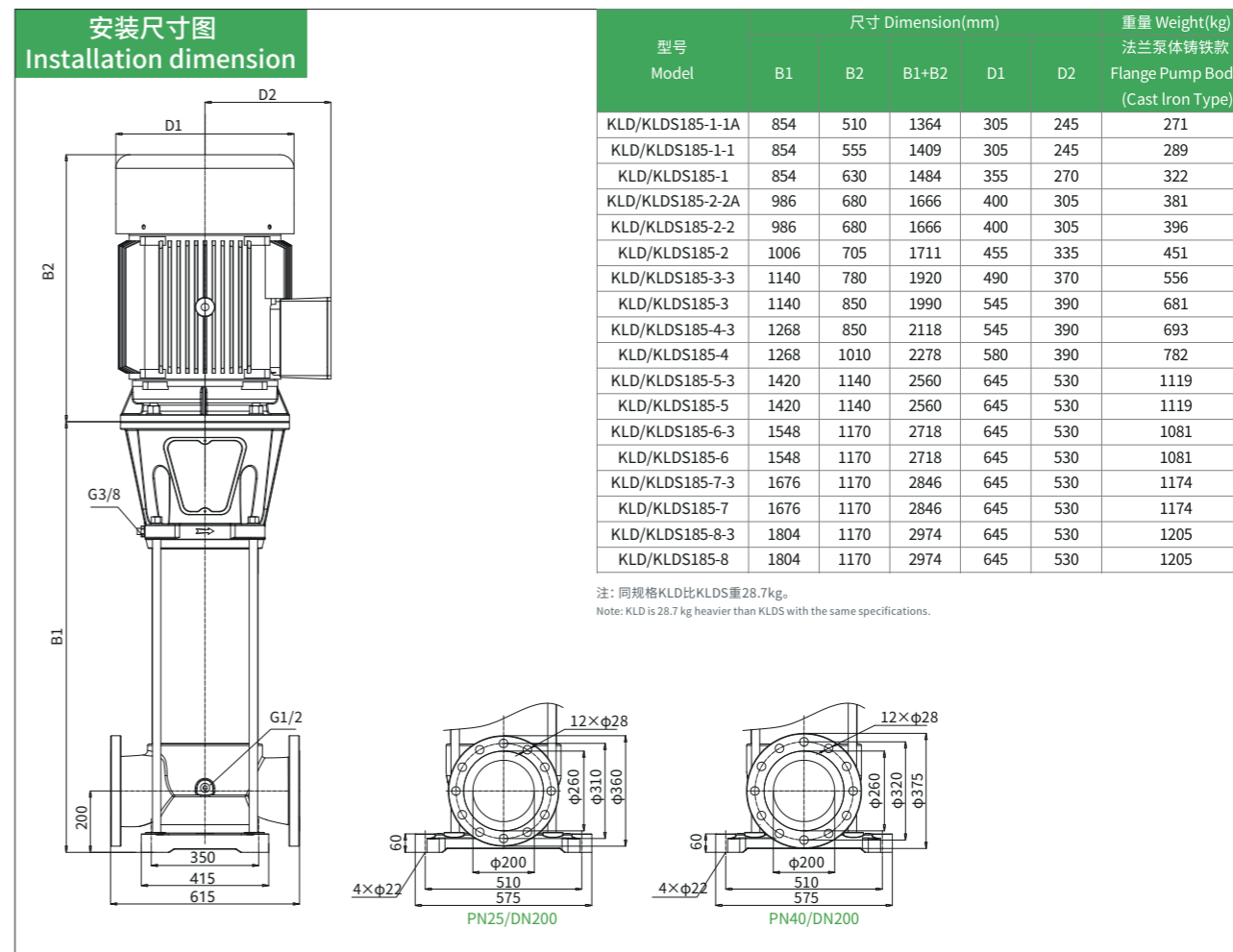


型号 Model	电机功率 Motor Power(kW)	Q[m <sup>3</sup> /h]	80	90	100	110	120	130	140	150	155	170	180	190	200
KLD/KLDS155-1-1	11	H(m)	29	28	27	26	25	23	21	20	19	16	14	11	8
KLD/KLDS155-1	15		35	34	33	32	31	30	29	28	27	24	21	19	16
KLD/KLDS155-2-2	22		58	56	54	51	48	45	42	39	37	31	27	22	17
KLD/KLDS155-2-1	30		64	62	60	58	56	53	50	48	47	40	35	30	24
KLD/KLDS155-2	30		71	68	67	66	64	61	58	55	54	48	44	39	34
KLD/KLDS155-3-2	37		93	91	89	85	81	77	72	67	64	55	49	43	37
KLD/KLDS155-3-1	45		100	96	94	92	89	84	79	75	72	64	58	50	42
KLD/KLDS155-3	45		107	103	101	99	96	93	90	85	82	73	66	58	50
KLD/KLDS155-4-2	55		129	124	121	117	112	106	100	94	91	79	71	61	51
KLD/KLDS155-4-1	55		136	133	130	126	122	117	112	105	101	90	81	70	60
KLD/KLDS155-4	75		142	137	134	131	128	123	118	112	108	97	88	78	67
KLD/KLDS155-5-2	75		166	163	159	154	148	142	135	127	122	108	96	83	70
KLD/KLDS155-5	75		175	173	171	168	164	158	151	142	137	122	111	97	83
KLD/KLDS155-6	90		212	209	205	201	196	190	181	171	165	147	133	115	98
KLD/KLDS155-7	110		247	244	241	236	231	222	212	200	194	171	154	135	115
KLD/KLDS155-8-2	110		272	267	262	256	249	238	226	213	205	180	161	141	120

KLD/KLDS185

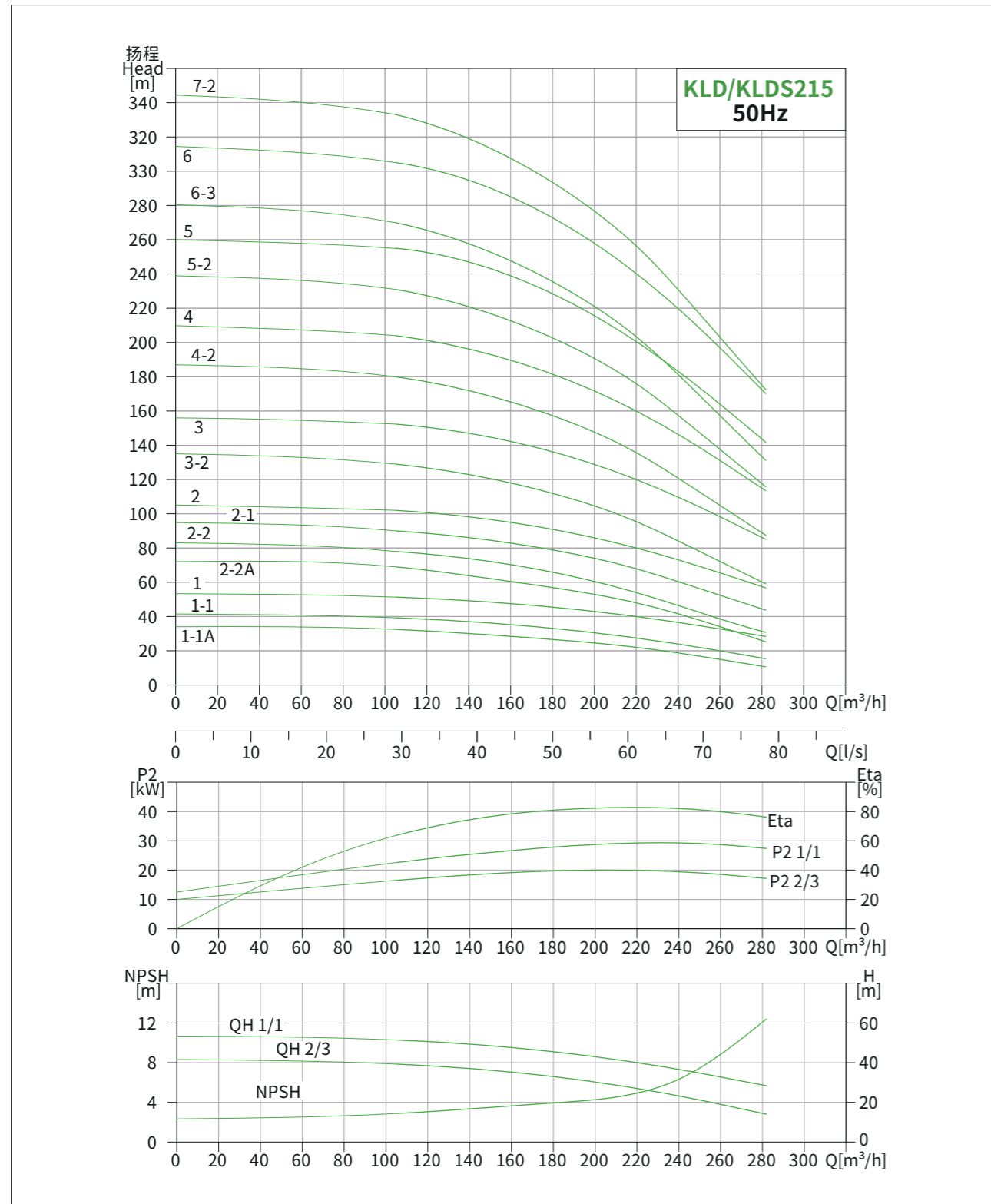


KLD/KLDS185

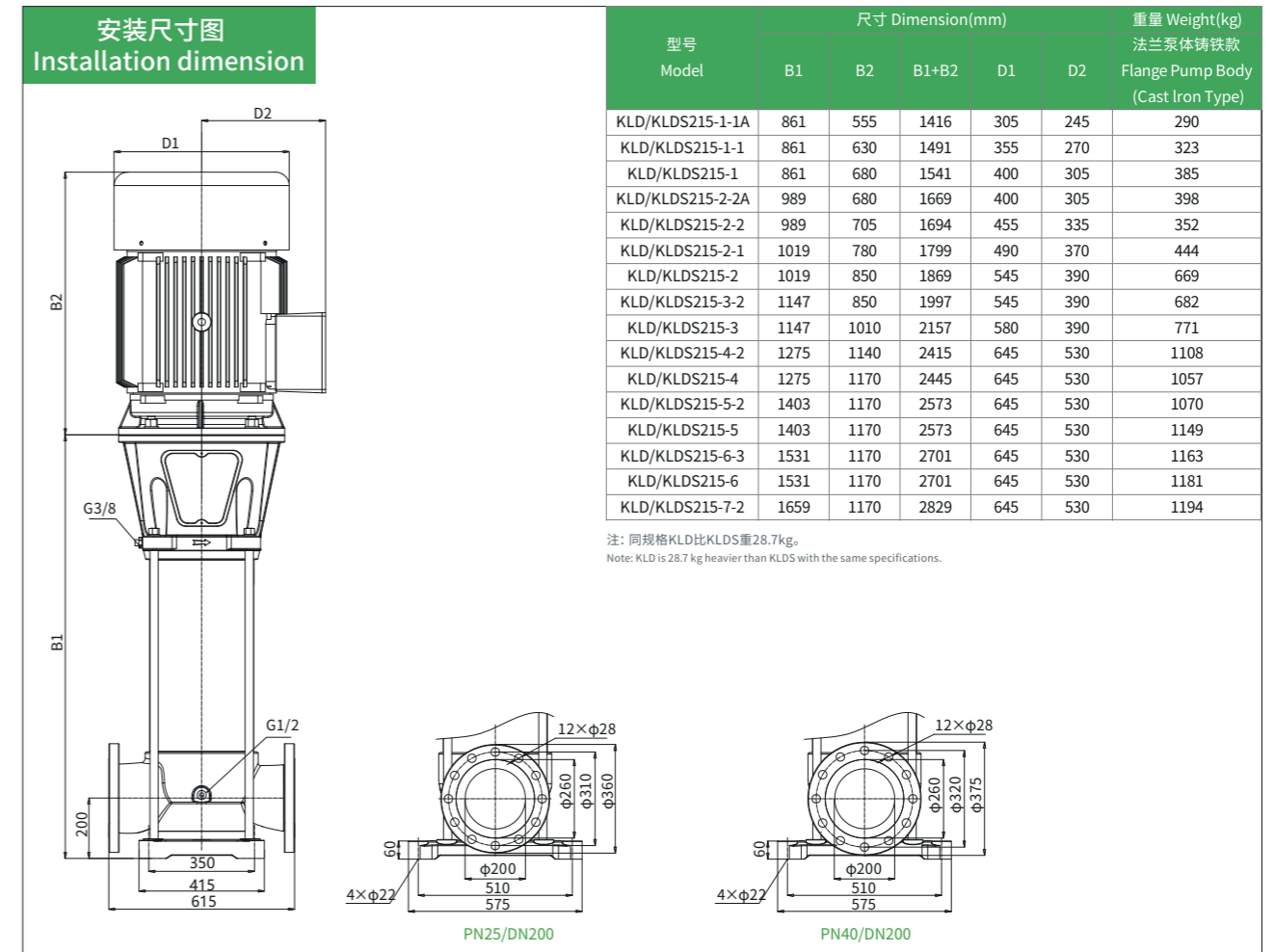


型号 Model	电机功率 Motor Power(kW)	Q [m³/h]	90	120	140	160	180	185	200	220	240
KLD/KLDS185-1-1A	15		30	29	28	26	24	23	20	17	14
KLD/KLDS185-1-1	18.5		38	36	35	33	29	28	25	21	17
KLD/KLDS185-1	22		40	38	37	36	34	33.5	31	28	24
KLD/KLDS185-2-2A	30		61	59	56	53	48	46	41	34	28
KLD/KLDS185-2-2	37		75	72	69	65	59	57	51	42	34
KLD/KLDS185-2	45		83	81	79	76	70	68	63	55	47
KLD/KLDS185-3-3	55		113	109	104	98	88	85	76	64	51
KLD/KLDS185-3	75		124	121	118	114	105	102	95	82	71
KLD/KLDS185-4-3	75		154	149	143	136	123	119	108	91	75
KLD/KLDS185-4	90		165	161	157	152	140	137	127	109	95
KLD/KLDS185-5-3	110		196	189	183	174	158	154	139	118	98
KLD/KLDS185-5	110		207	202	197	190	175	171	158	137	118
KLD/KLDS185-6-3	132		237	230	222	212	193	187	171	146	122
KLD/KLDS185-6	132		248	242	236	228	210	205	190	164	142
KLD/KLDS185-7-3	160		278	270	261	250	228	221	203	173	146
KLD/KLDS185-7	160		289	282	275	266	245	239	222	191	166
KLD/KLDS185-8-3	200		320	310	301	288	263	256	234	200	169
KLD/KLDS185-8	200		331	323	315	304	280	273	253	219	189

KLD/KLDS215



KLD/KLDS215



型号 Model	电机功率 Motor Power(kW)	Q[m³/h]	105	120	140	160	180	200	215	240	260	280	282
KLD/KLDS215-1-1A	18.5	H(m)	33	31	30	28	26	24	23	18	15	13	11
KLD/KLDS215-1-1	22		39	38	37	35	33	30	28	24	20	16	15
KLD/KLDS215-1	37		51	50	49	48	46	43	41	37	33	29	28
KLD/KLDS215-2-2A	37		69	66	63	60	57	52	50	40	34	27	25
KLD/KLDS215-2-2	45		78	77	74	70	66	60	56	47	40	32	31
KLD/KLDS215-2-1	55		90	89	86	83	79	73	69	60	53	45	44
KLD/KLDS215-2	75		102	101	98	95	91	87	82	73	66	58	57
KLD/KLDS215-3-2	75		129	127	123	118	112	103	97	84	73	60	59
KLD/KLDS215-3	90		153	151	147	143	137	130	123	110	99	87	85
KLD/KLDS215-4-2	110		180	177	172	165	157	147	138	121	106	89	87
KLD/KLDS215-4	132		204	201	196	191	183	173	164	147	132	116	113
KLD/KLDS215-5-2	132		231	228	221	213	203	190	180	157	139	118	116
KLD/KLDS215-5	160		255	252	245	238	228	217	203	183	165	145	142
KLD/KLDS215-6-3	160		270	266	258	248	236	220	208	181	159	134	131
KLD/KLDS215-6	200	306	302	294	286	274	260	248	220	198	174	170	
KLD/KLDS215-7-2	200	333	328	319	308	294	277	262	231	205	176	172	



专注专业 绿色创新 品质至上 合作共赢

## 售前 520服务

致力为客户提供高效、专业的优质体验。从收到客户咨询,5分钟内迅速响应(与客户建立沟通,了解需求),凭借团队丰富的经验和专业知识,在20分钟内给出具有建设性的方案,精准匹配客户需求,为客户的决策提供有力支持,高效专业助力业务顺利开展。

## 售中 4全服务

秉持四个“全”理念,合同全程履约,严格落实各项条款;货物全程跟踪,及时反馈物流动态;产品全程质保,确保品质无忧;服务全程放心,专业团队随时响应,为您消除后顾之忧。

## 售后 3121服务

秉持高效、负责的态度,一旦接到问题反馈,30分钟内快速响应,1小时给出排查方案,2小时初步解决,一切以客户为导向,秉持高效负责态度,持续跟进直至问题彻底解决,让客户满意。



泵与系统解决方案提供商  
PUMP AND SYSTEM SOLUTION PROVIDER

## 全心全意—客户至上

With all our heart and soul, Putting customers first

全国统一服务热线: 4008-603-757 [www.laikopump.cn](http://www.laikopump.cn)